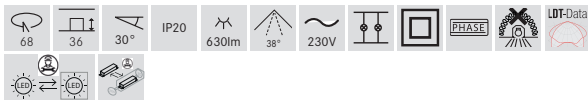
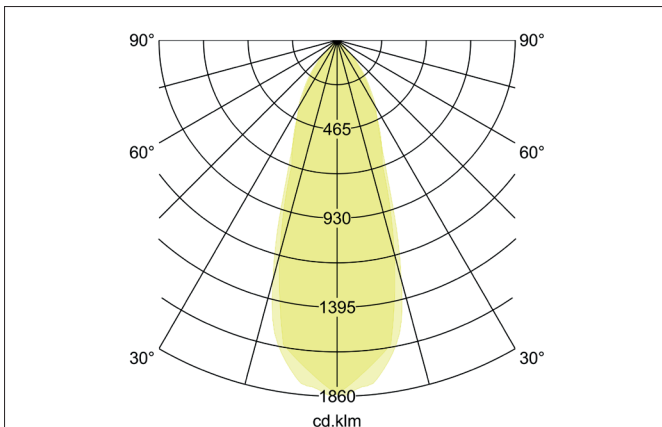
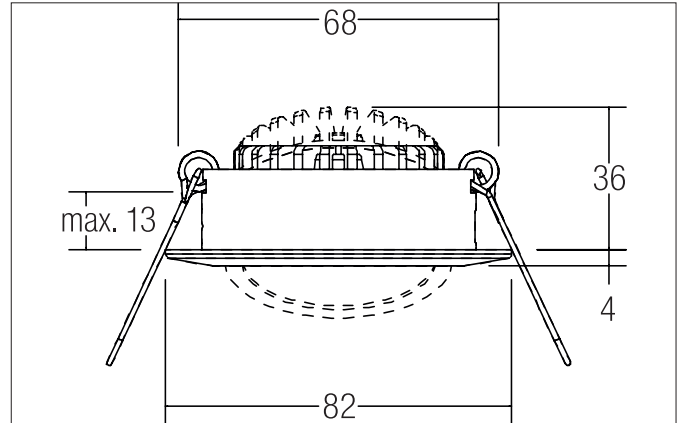




BB03 LED recessed spot set, trailing-edge phase dimmable, incl. connection box
 Article no. 39463073



Tender
 LED recessed spot set, trailing-edge phase dimmable, incl. connection box, Round. Toolless ceiling installation by installation springs. Ceiling cut-out Ø 68 mm, Installation depth 36 mm, Outer diameter 82 mm, Weight 0,184 kg, Reflector silver with rotationssymmetrical, deep, wide distributed light intensity. Cover polycarbonat clear Luminous flux 630 lm, Power 1 x 6 W, Light colour warm white, Correlated color temperature (CCT) 3.000 K, Colour rendering index CRI > 80, Rated life time L70/B50 at 25 °C: 30.000 h, Rated life time L80/B20 at 25 °C: 50.000 h, Housing material: Aluminium / Polycarbonate, Colour: white glossy, Permissible ambient temperature (ta): -20 °C up to +25 °C, Protection class (EN 61140): II, Degree of protection (DIN EN 60529): IP20. With electronic driver, Trailing-edge phase dimmable.

Product Benefits

- Here come model USPs
- low installation depth


BB03 LED recessed spot set, trailing-edge phase dimmable, incl. connection box

Article no. 39463073

| Article data | |
|------------------------|---|
| Article no. | 39463073 |
| GTIN | 4251433936039 |
| Series name | BB03 |
| Short description | LED recessed spot set, trailing-edge phase dimmable, incl. connection box |
| Material | Aluminium / Polycarbonate |
| Colour | white glossy |
| Type of surface | Glossy |
| Shape | Round |
| Outer diameter | 82 mm |
| Built-in diameter min. | 68 mm |
| Built-in diameter max. | 68 mm |
| Installation depth | 36 mm |
| Hight | 4 mm |
| Scope of delivery | incl. connection box, 3-pole |
| Weight | 0.184 kg |
| D licence plate | No |
| Conformance | CE, UKCA |

| Lighting technology | |
|------------------------------|-----------|
| Colour temperature | 3.000 K |
| Light colour | white |
| Light output | Direct |
| Luminous flux | 630 lm |
| System efficiency | 105 lm/W |
| Colour rendering | CRI > 80 |
| Reflector | Faceted |
| Reflector colour | silver |
| Beam angle | 38° |
| Light sharing | Symmetric |
| Adjustable color temperature | No |

| Operating technology of the luminaire | |
|---------------------------------------|--|
| System output | 6 W |
| Voltage type | AC |
| AC nominal voltage max | 230 V |
| Frequency max | 50 Hz |
| Lamp | LED |
| Protection class | II |
| Degree of protection | IP20 |
| Dimmable | Yes |
| Control | Trailing-edge phase |
| Bulb change possible | The light source of this luminaire may only be replaced by the manufacturer or a service technician commissioned by him or a similarly qualified person. |
| Rated life time L70/B50 at 25 °C | 30,000 h |
| Rated life time L80/B20 at 25 °C | 50.000 h |
| Energy efficiency class | not required |

| Mounting technology | |
|-----------------------------|---|
| Mounting method | Recessed mounting |
| Place of installation | Ceiling-mounted |
| Adjustability | Pivoted |
| Swivel angle | 30° |
| Max. ceiling thickness | 13 mm |
| Further references | No cover with thermal insulation material |
| Material cover | Polycarbonat clear |
| Suitable for through-wiring | Yes |


BB03 LED recessed spot set, trailing-edge phase dimmable, incl. connection box

Article no. 39463073

| Packing data | |
|-------------------------|--|
| Gross weight | 0.265 kg |
| Length of packaging | 100 mm |
| Packaging width | 100 mm |
| Packaging height | 100 mm |
| Disposal at end of life | <p>This product must not be disposed of with household waste. You are obliged, to dispose of such electrical waste separately.</p> <p>By disposing of electrical waste and other old or defective electronics separately, you support recycling or other forms of re-use. In that way you help to take care and to avoid that harmful substances get into the environment.</p> |

| Optional accessories | |
|---|--|
| Article no.: 81201070 Reducing ring D 110 mm, for luminaire cut-out size 68 mm | |
| Dimensions: 110 mm https://www.brumberg.com/fileadmin/products/Datenblatt_81201070_2021_DE.pdf | |
| Article no.: 81202070 Reducing ring D 130 mm, for luminaire cut-out size 68 mm | |
| Dimensions: 130 mm https://www.brumberg.com/fileadmin/products/Datenblatt_81202070_2021_DE.pdf | |
| Article no.: 81203070 Reducing ring D 145 mm, for luminaire cut-out size 68 mm | |
| Dimensions: 145 mm https://www.brumberg.com/fileadmin/products/Datenblatt_81203070_2021_DE.pdf | |
| Article no.: 5327 Leaf spring set | |
| https://www.brumberg.com/fileadmin/products/Datenblatt_00532700_2021_DE.pdf | |