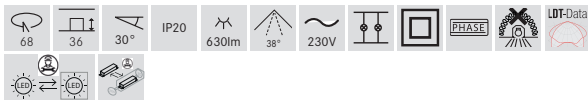
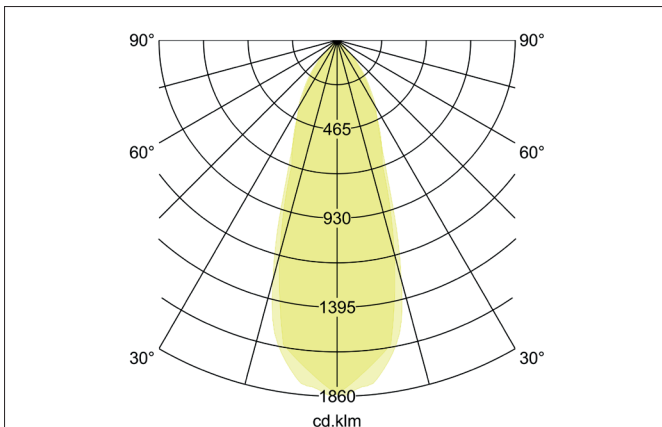
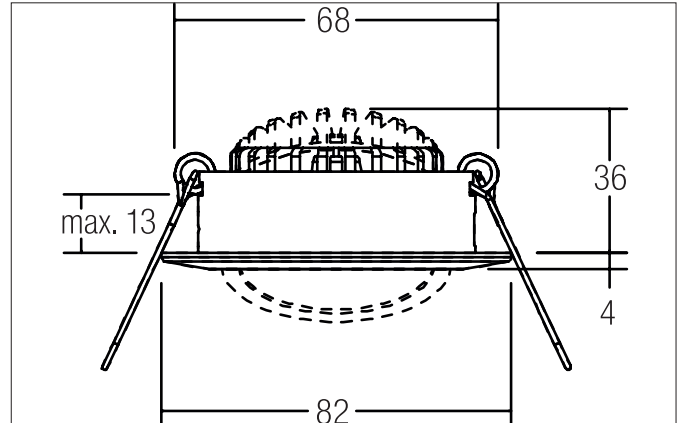




BB03 LED recessed spot set, trailing-edge phase dimmable
 Article no. 39363073



Tender
 LED recessed spot set, trailing-edge phase dimmable, Round. Toolless ceiling installation by installation springs. Ceiling cut-out Ø 68 mm, Installation depth 36 mm, Outer diameter 82 mm, Weight 0,153 kg, Reflector silver with rotationssymmetrical, deep, wide distributed light intensity. Cover polycarbonat clear Luminous flux 630 lm, Power 1 x 6 W, Light colour warm white, Correlated color temperature (CCT) 3.000 K, Colour rendering index CRI > 80, Rated life time L70/B50 at 25 °C: 30.000 h, Rated life time L80/B20 at 25 °C: 50.000 h, Housing material: Aluminium / Polycarbonate, Colour: white glossy, Permissible ambient temperature (ta): -20 °C up to +25 °C, Protection class (EN 61140): II, Degree of protection (DIN EN 60529): IP20. With electronic driver, Trailing-edge phase dimmable.

- Product Benefits**
- Here come model USPs
 - low installation depth


BB03 LED recessed spot set, trailing-edge phase dimmable
 Article no. 39363073

| Article data | |
|------------------------|---|
| Article no. | 39363073 |
| GTIN | 4251433916703 |
| Series name | BB03 |
| Short description | LED recessed spot set, trailing-edge phase dimmable |
| Material | Aluminium / Polycarbonate |
| Colour | white glossy |
| Type of surface | Glossy |
| Shape | Round |
| Outer diameter | 82 mm |
| Built-in diameter min. | 68 mm |
| Built-in diameter max. | 68 mm |
| Installation depth | 36 mm |
| Hight | 4 mm |
| Weight | 0.153 kg |
| D licence plate | No |
| Conformance | CE, UKCA |

| Lighting technology | |
|------------------------------|-----------|
| Colour temperature | 3.000 K |
| Light colour | white |
| Light output | Direct |
| Luminous flux | 630 lm |
| System efficiency | 105 lm/W |
| Colour rendering | CRI > 80 |
| Reflector | Faceted |
| Reflector colour | silver |
| Beam angle | 38° |
| Light sharing | Symmetric |
| Adjustable color temperature | No |

| Operating technology of the luminaire | |
|---------------------------------------|-----------|
| Outer diameter | 82 mm |
| Lamp holder | Plug&Play |
| Power | 6 W |
| Voltage type | DC |
| Current | 350 mA |
| Lamp | LED |
| Protection class | III |
| Degree of protection | IP20 |

| Operating technology of driver | |
|--------------------------------|---------------------|
| Article No. of used driver | 17663010 |
| Length | 110 mm |
| Width | 50 mm |
| Hight | 19 mm |
| AC nominal voltage min | 198 V |
| AC nominal voltage max | 264 V |
| Frequency max | 60 Hz |
| Dimmable | Yes |
| Control | Trailing-edge phase |
| Starting current | 1 A, 15,2 µs |
| Power min | 2.8 W |
| Power | 7 W |
| Output current | 350 mA |
| Degree of protection | IP20 |
| Protection class | II |
| Flicker-free | Yes |


BB03 LED recessed spot set, trailing-edge phase dimmable
 Article no. 39363073

| Mounting technology | |
|-----------------------------|---|
| Mounting method | Recessed mounting |
| Place of installation | Ceiling-mounted |
| Adjustability | Pivoted |
| Swivel angle | 30° |
| Max. ceiling thickness | 13 mm |
| Further references | No cover with thermal insulation material |
| Material cover | Polycarbonat clear |
| Suitable for through-wiring | Yes, with optional accessories |

| Packing data | |
|-------------------------|---|
| Gross weight | 0.186 kg |
| Length of packaging | 100 mm |
| Packaging width | 60 mm |
| Packaging height | 100 mm |
| Disposal at end of life | This product must not be disposed of with household waste. You are obliged, to dispose of such electrical waste separately. By disposing of electrical waste and other old or defective electronics separately, you support recycling or other forms of re-use. In that way you help to take care and to avoid that harmful substances get into the environment. |

| Optional accessories | |
|---|--|
| Article no.: 81201070 Reducing ring D 110 mm, for luminaire cut-out size 68 mm | Dimensions: 110 mm https://www.brumberg.com/fileadmin/products/Datenblatt_81201070_2021_DE.pdf |
| Article no.: 81202070 Reducing ring D 130 mm, for luminaire cut-out size 68 mm | Dimensions: 130 mm https://www.brumberg.com/fileadmin/products/Datenblatt_81202070_2021_DE.pdf |
| Article no.: 81203070 Reducing ring D 145 mm, for luminaire cut-out size 68 mm | Dimensions: 145 mm https://www.brumberg.com/fileadmin/products/Datenblatt_81203070_2021_DE.pdf |
| Article no.: 83330000 Connection box 230 V AC, 3-pole | Dimensions: 85 mm x 35 mm x 30 mm https://www.brumberg.com/fileadmin/products/Datenblatt_83330000_2021_DE.pdf |
| Article no.: 5327 Leaf spring set | https://www.brumberg.com/fileadmin/products/Datenblatt_00532700_2021_DE.pdf |