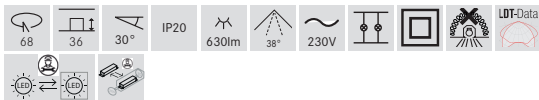
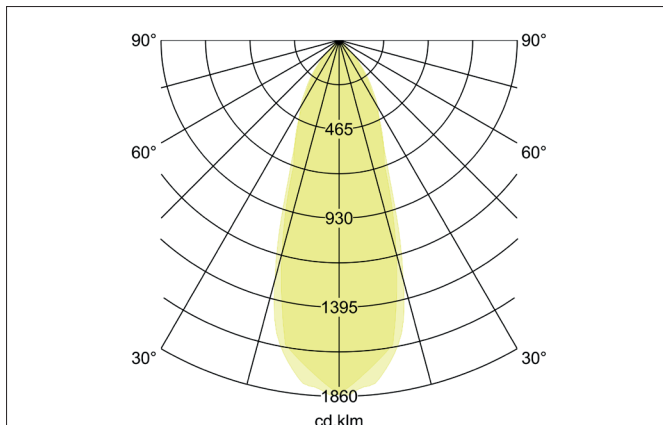
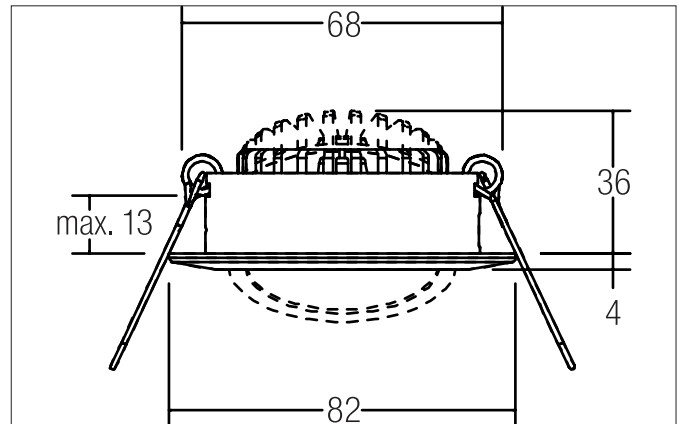


**BB03 LED recessed spot set, on/off switchable**

Article no. 38363023

**Tender**

LED recessed spot set, on/off switchable, Round. Toolless ceiling installation by installation springs. Ceiling cut-out \varnothing 68 mm, Installation depth 36 mm, Outer diameter 82 mm, Weight 0,139 kg, Reflector silver with rotationssymmetrical, deep, wide distributed light intensity. Cover polycarbonat clear Luminous flux 630 lm, Power 1 x 6 W, Light colour warm white, Correlated color temprature (CCT) 3.000 K, Colour rendering index CRI > 80, Rated life time L80/B20 at 25 °C: 50.000 h, Housing material: Aluminium / Polycarbonate, Colour: chrome glossy, Permissible ambient temperature (ta): -20 °C up to +25 °C, Protection class (EN 61140): II, Degree of protection (DIN EN 60529): IP20. With electronic driver, on/off switchable.

Product Benefits

- LED recessed spotlight in round aluminum design with LED module 6 W (3,000 K) and switchable converter.
- Ceiling cut-out 68 mm, diameter 82 mm, installation depth 36 mm, IP20.
- Pivoting range 30°.
- Without visible snap ring.
- Classic, formally restrained design.
- Also available in the same look as a switchable or dimmable set phase cut-off or DALI.
- Also available with the same surface structure and in the same color also available in a square version.


BB03 LED recessed spot set, on/off switchable

Article no. 38363023

Article data	
Article no.	38363023
GTIN	4251433916659
Series name	BB03
Short description	LED recessed spot set, on/off switchable
Material	Aluminium / Polycarbonate
Colour	chrome glossy
Type of surface	Glossy
Shape	Round
Outer diameter	82 mm
Built-in diameter min.	68 mm
Built-in diameter max.	68 mm
Installation depth	36 mm
Hight	4 mm
Weight	0.139 kg
D licence plate	No
Conformance	CE, UKCA

Lighting technology	
Colour temperature	3.000 K
Light colour	white
Light output	Direct
Luminous flux	630 lm
System efficiency	105 lm/W
Colour rendering	CRI > 80
Reflector	Faceted
Reflector colour	silver
Beam angle	38°
Light sharing	Symmetric
Adjustable color temperature	No

Operating technology of the luminaire	
Outer diameter	82 mm
Lamp holder	Plug&Play
Power	6 W
Voltage type	DC
Current	350 mA
Lamp	LED
Protection class	III
Degree of protection	IP20

Operating technology of driver	
Article No. of used driver	17662010
Width	35 mm
Hight	21 mm
AC nominal voltage min	90 V
AC nominal voltage max	264 V
Frequency max	60 Hz
Dimmable	No
Control	on/off
Starting current	40 A, 50 µs
Power min	1 W
Power	7.2 W
Output current	350 mA
Degree of protection	IP20
Protection class	II
Flicker-free	Yes


BB03 LED recessed spot set, on/off switchable

Article no. 38363023

Mounting technology	
Mounting method	Recessed mounting
Place of installation	Ceiling-mounted
Adjustability	Pivoted
Swivel angle	30°
Max. ceiling thickness	13 mm
Further references	No cover with thermal insulation material
Material cover	Polycarbonat clear
Suitable for through-wiring	Yes, with optional accessories

Packing data	
Gross weight	0.177 kg
Length of packaging	95 mm
Packaging width	75 mm
Packaging height	95 mm
Disposal at end of life	This product must not be disposed of with household waste. You are obliged, to dispose of such electrical waste separately. By disposing of electrical waste and other old or defective electronics separately, you support recycling or other forms of re-use. In that way you help to take care and to avoid that harmful substances get into the environment.

Optional accessories	
Article no.: 81204020 Reducing ring D 110 mm, for luminaire cut-out size 68 mm	https://www.brumberg.com/fileadmin/products/Datenblatt_81204020_2021_DE.pdf
Article no.: 81205020 Reducing ring D 130 mm, for luminaire cut-out size 68 mm	https://www.brumberg.com/fileadmin/products/Datenblatt_81205020_2021_DE.pdf
Article no.: 81206020 Reducing ring D 145 mm, for luminaire cut-out size 68 mm	https://www.brumberg.com/fileadmin/products/Datenblatt_81206020_2021_DE.pdf
Article no.: 83330000 Connection box 230 V AC, 3-pole Dimensions: 85 mm x 35 mm x 30 mm	https://www.brumberg.com/fileadmin/products/Datenblatt_83330000_2021_DE.pdf
Article no.: 5327 Leaf spring set	https://www.brumberg.com/fileadmin/products/Datenblatt_00532700_2021_DE.pdf