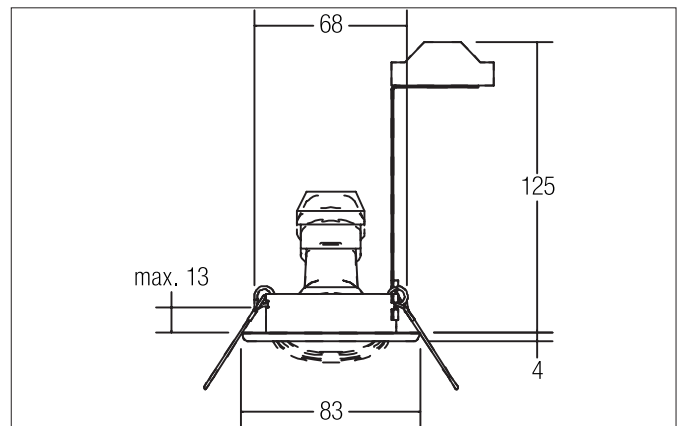



**FALITO Recessed spot, GZ10**

Article no. H2191.07


**Tender**

Recessed spot, GZ10, white glossy, Round. In a compact design, for installation in tool-less rapid assembly systems. Lamp holder: GZ10, Mounting method: Recessed mounting, Place of installation: Ceiling-mounted, Material: Stainless steel, Degree of protection: according to DIN EN 60529 IP20, Protection class: (EN 61140) II, Voltage: 230V AC 50Hz, Power: 10 W, Amount of light sources / fittings: 1 piece, Light colour: white, Adjustability: Pivoted, without control gear, Type of dimming: Other.

**Product Benefits**

- Recessed spotlight in round design made of V2A stainless steel for LED retrofit lamps with GU10 / GZ10 base.
- Incl. bracket for standard-compliant strain relief.
- Ceiling cut-out 68 mm, diameter 83 mm, installation depth 125 mm, IP20.
- Pivoting range 25°.
- Version: with snap ring.
- Classic, formally restrained design.
- Also available as a GX5.3 version with the same look.


**FALITO Recessed spot, GZ10**

Article no. H2191.07

Article data	
Article no.	H2191.07
GTIN	4250047712725
Series name	FALITO
Short description	Recessed spot, GZ10
Material	Stainless steel
Colour	white glossy
Type of surface	Glossy
Shape	Round
Outer diameter	80 mm
Built-in diameter min.	65 mm
Built-in diameter max.	68 mm
Installation depth	125 mm
Hight	4 mm
Weight	0.14 kg
D licence plate	No
Conformance	CE, UKCA

Operating technology of the luminaire	
System output	10 W
Voltage type	AC
AC nominal voltage max	230 V
Frequency max	50 Hz
Lamp	For LED-retrofill lamp
Lamp holder	GZ10
Protection class	II
Degree of protection	IP20
Control	Other
Bulb change possible	Yes
Energy efficiency class	not required

Mounting technology	
Mounting method	Recessed mounting
Place of installation	Ceiling-mounted
Adjustability	Pivoted
Swivel angle	25°
Max. ceiling thickness	13 mm
Further references	No cover with thermal insulation material
Material cover	Without cover
Circlip	With circlip

Packing data	
Gross weight	0.204 kg
Length of packaging	100 mm
Packaging width	100 mm
Packaging hight	100 mm
Disposal at end of life	<p>This product must not be disposed of with household waste. You are obliged, to dispose of such electrical waste separately.</p> <p>By disposing of electrical waste and other old or defective electronics separately, you support recycling or other forms of re-use. In that way you help to take care and to avoid that harmful substances get into the environment.</p>



**FALITO Recessed spot, GZ10**

Article no. H2191.07

**Optional accessories**

Article no.: 81201070

Reducing ring D 110 mm, for luminaire cut-out size 68 mm

Dimensions: 110 mm

[https://www.brumberg.com/fileadmin/products/Datenblatt\\_81201070\\_2021\\_DE.pdf](https://www.brumberg.com/fileadmin/products/Datenblatt_81201070_2021_DE.pdf)

Article no.: 81202070

Reducing ring D 130 mm, for luminaire cut-out size 68 mm

Dimensions: 130 mm

[https://www.brumberg.com/fileadmin/products/Datenblatt\\_81202070\\_2021\\_DE.pdf](https://www.brumberg.com/fileadmin/products/Datenblatt_81202070_2021_DE.pdf)

Article no.: 81203070

Reducing ring D 145 mm, for luminaire cut-out size 68 mm

Dimensions: 145 mm

[https://www.brumberg.com/fileadmin/products/Datenblatt\\_81203070\\_2021\\_DE.pdf](https://www.brumberg.com/fileadmin/products/Datenblatt_81203070_2021_DE.pdf)