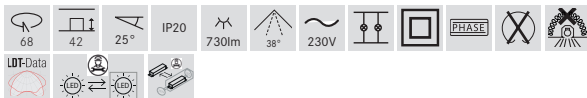
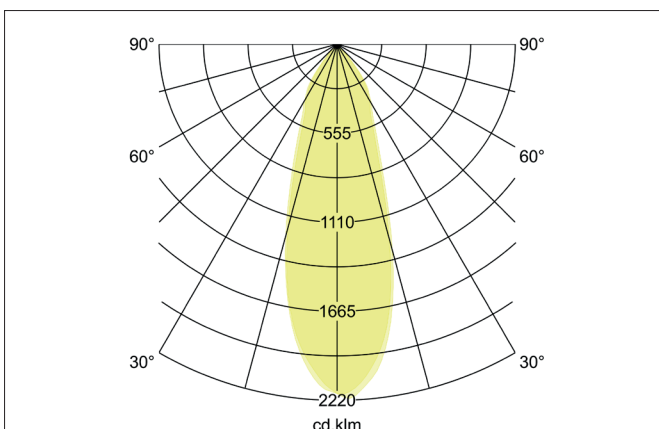
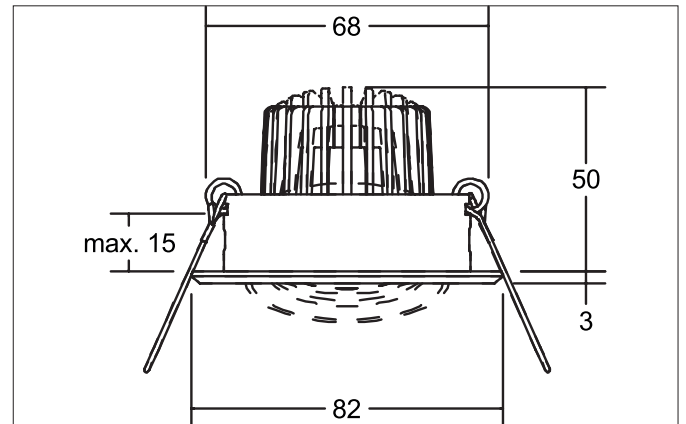



**JARRID-R LED recessed spot set, trailing-edge phase dimmable**

Article no. 39187253


**Tender**

LED recessed spot set, trailing-edge phase dimmable, Round. Toolless ceiling installation by installation springs. Ceiling cut-out Ø 68 mm, Installation depth 42 mm, Outer diameter 82 mm, Weight 0,176 kg, Reflector silver with rotationssymmetrical, deep, wide distributed light intensity. Cover glass transparent Luminous flux 730 lm, Power 1 x 6 W, Light colour warm white, Correlated color temperature (CCT) 3.000 K, Colour rendering index CRI > 80, Housing material: Aluminium / Glass / Plastic, Colour: black matt / aluminum matt, Permissible ambient temperature (ta): -20 °C up to +25 °C, Protection class (EN 61140): II, Degree of protection (DIN EN 60529): IP20. With electronic driver, Trailing-edge phase dimmable.

**Product Benefits**

- LED recessed spot in round design made of solid aluminum.  
with LED module 6 W (3,000 K) and dimmable converter phase section.
- Ceiling cutout 68 mm, diameter 82 mm, installation depth 50 mm, IP20.
- Pivoting range 25°.
- Two-color finish black matt / aluminum matt. Without visible snap ring.
- Classic, formally restrained design. Chamfered outer edge.
- In the same look also available in GX5,3 or GU10 version and as switchable available as a switchable set.
- In addition, in the same surface structure and in a similar color scheme also available available in square version.


**JARRID-R LED recessed spot set, trailing-edge phase dimmable**

Article no. 39187253

Article data	
Article no.	39187253
GTIN	4251433950691
Series name	JARRID-R
Short description	LED recessed spot set, trailing-edge phase dimmable
Material	Aluminium / Glass / Plastic
Colour	black matt / aluminum matt
Type of surface	Matt
Shape	Round
Outer diameter	82 mm
Built-in diameter min.	67 mm
Built-in diameter max.	68 mm
Installation depth	42 mm
Hight	3 mm
Weight	0.176 kg
D licence plate	No
Conformance	CE, UKCA

Lighting technology	
Colour temperature	3.000 K
Light colour	white
Light output	Direct
Luminous flux	730 lm
System efficiency	122 lm/W
Colour rendering	CRI > 80
Reflector	Faceted
Reflector colour	silver
Beam angle	38°
Light sharing	Symmetric
Adjustable color temperature	No

Operating technology of the luminaire	
Article No. of used light source	12924383
Hight	32 mm
Outer diameter	50 mm
Lamp holder	Plug&Play
Power	6 W
Voltage type	DC
Current	350 mA
Lamp	LED
Protection class	III
Degree of protection	IP20
Energy efficiency class	D
Bulb change possible	The light source of this luminaire may only be replaced by the manufacturer or a service technician commissioned by him or a similarly qualified person.


**JARRID-R LED recessed spot set, trailing-edge phase dimmable**

Article no. 39187253

Operating technology of driver	
Article No. of used driver	17663000
Length	110 mm
Width	50 mm
Hight	19 mm
AC nominal voltage min	198 V
AC nominal voltage max	264 V
Frequency max	60 Hz
Dimmable	Yes
Control	Trailing-edge phase
Starting current	1 A, 15,2 $\mu$ s
Power min	2.8 W
Power	7 W
Output current	350 mA
Degree of protection	IP20
Protection class	II
Flicker-free	Yes

Mounting technology	
Mounting method	Recessed mounting
Place of installation	Ceiling-mounted
Adjustability	Pivoted
Swivel angle	25°
Max. ceiling thickness	15 mm
Further references	No cover with thermal insulation material
Material cover	Glass transparent
Circlip	Without circlip
Suitable for through-wiring	Yes, with optional accessories

Packing data	
Gross weight	0.25 kg
Length of packaging	100 mm
Packaging width	100 mm
Packaging hight	100 mm
Disposal at end of life	<p>This product must not be disposed of with household waste. You are obliged, to dispose of such electrical waste separately.</p> <p>By disposing of electrical waste and other old or defective electronics separately, you support recycling or other forms of re-use. In that way you help to take care and to avoid that harmful substances get into the environment.</p>


**JARRID-R LED recessed spot set, trailing-edge phase dimmable**

Article no. 39187253

Optional accessories
Article no.: 81201080 Reducing ring D 110 mm, for luminaire cut-out size 68 mm  Dimensions: 110 mm <a href="https://www.brumberg.com/fileadmin/products/Datenblatt_81201080_2021_DE.pdf">https://www.brumberg.com/fileadmin/products/Datenblatt_81201080_2021_DE.pdf</a>
Article no.: 81202080 Reducing ring D 130 mm, for luminaire cut-out size 68 mm  Dimensions: 130 mm <a href="https://www.brumberg.com/fileadmin/products/Datenblatt_81202080_2021_DE.pdf">https://www.brumberg.com/fileadmin/products/Datenblatt_81202080_2021_DE.pdf</a>
Article no.: 81203080 Reducing ring D 145 mm, for luminaire cut-out size 68 mm  Dimensions: 145 mm <a href="https://www.brumberg.com/fileadmin/products/Datenblatt_81203080_2021_DE.pdf">https://www.brumberg.com/fileadmin/products/Datenblatt_81203080_2021_DE.pdf</a>
Article no.: 81201250 Reducing ring D 110 mm, for luminaire cut-out size 68 mm  Dimensions: 110 mm <a href="https://www.brumberg.com/fileadmin/products/Datenblatt_81201250_2021_DE.pdf">https://www.brumberg.com/fileadmin/products/Datenblatt_81201250_2021_DE.pdf</a>
Article no.: 81202250 Reducing ring D 130 mm, for luminaire cut-out size 68 mm  Dimensions: 130 mm <a href="https://www.brumberg.com/fileadmin/products/Datenblatt_81202250_2021_DE.pdf">https://www.brumberg.com/fileadmin/products/Datenblatt_81202250_2021_DE.pdf</a>
Article no.: 81203250 Reducing ring D 145 mm, for luminaire cut-out size 68 mm  Dimensions: 145 mm <a href="https://www.brumberg.com/fileadmin/products/Datenblatt_81203250_2021_DE.pdf">https://www.brumberg.com/fileadmin/products/Datenblatt_81203250_2021_DE.pdf</a>
Article no.: 83330000 Connection box 230 V AC, 3-pole  Dimensions: 85 mm x 35 mm x 30 mm <a href="https://www.brumberg.com/fileadmin/products/Datenblatt_83330000_2021_DE.pdf">https://www.brumberg.com/fileadmin/products/Datenblatt_83330000_2021_DE.pdf</a>