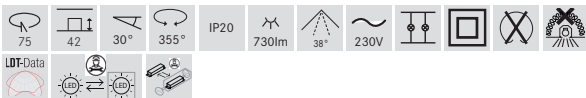
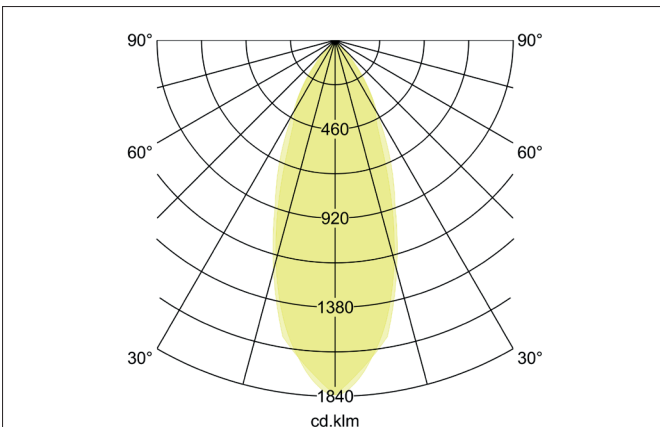
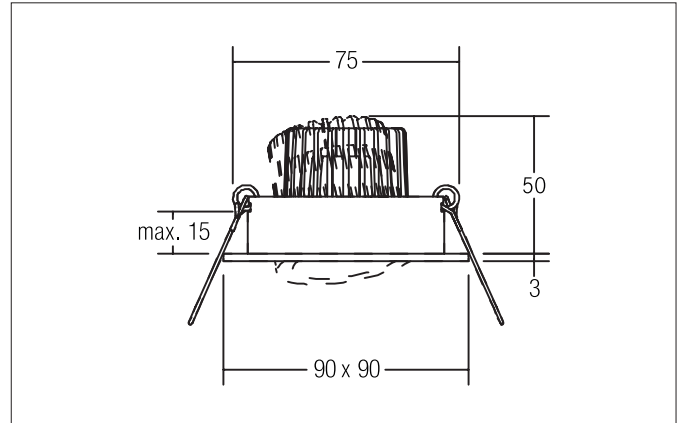


**JANIA-S LED recessed spot set, on/off switchable**  
Article no. 38310253



**Tender**  
LED recessed spot set, on/off switchable, Square. Toolless ceiling installation by installation springs. Ceiling cut-out Ø 75 mm, Installation depth 42 mm, Length 90 mm, Width 90 mm, Weight 0,167 kg, Reflector silver with rotationssymmetrical, deep, wide distributed light intensity. Cover glass transparent Luminous flux 730 lm, Power 1 x 6 W, Light colour warm white, Correlated color temperature (CCT) 3.000 K, Colour rendering index CRI > 80, Housing material: Aluminium / Glass / Plastic, Colour: aluminum matt, Permissible ambient temperature (ta): -20 °C up to +25 °C, Protection class (EN 61140): II, Degree of protection (DIN EN 60529): IP20. With electronic driver, on/off switchable.

**Product Benefits**

- LED recessed spotlight in square design made of solid aluminum.  
with LED module 6 W (3,000 K) and switchable converter.
- Ceiling cut-out 75 mm, diameter 93 mm, installation depth 50 mm, IP20.
- Pivoting range 30°.
- Without visible snap ring.
- Classic, formally restrained design.
- In the same optics also available in GX5.3 or GU10 version and as dimmable set (phase section).
- In addition, in the same surface structure and in the same color also available in round design.


**JANIA-S LED recessed spot set, on/off switchable**

Article no. 38310253

Article data	
Article no.	38310253
GTIN	4251433909989
Series name	JANIA-S
Short description	LED recessed spot set, on/off switchable
Material	Aluminium / Glass / Plastic
Colour	aluminum matt
Type of surface	Matt
Shape	Square
Length	90 mm
Width	90 mm
Built-in diameter min.	74 mm
Built-in diameter max.	75 mm
Installation depth	42 mm
Hight	3 mm
Weight	0.167 kg
D licence plate	No
Conformance	CE, UKCA

Lighting technology	
Colour temperature	3.000 K
Light colour	white
Light output	Direct
Luminous flux	730 lm
System efficiency	122 lm/W
Colour rendering	CRI > 80
Reflector	Faceted
Reflector colour	silver
Beam angle	38°
Light sharing	Symmetric
Adjustable color temperature	No

Operating technology of the luminaire	
Article No. of used light source	12924383
Hight	32 mm
Outer diameter	50 mm
Lamp holder	Plug&Play
Power	6 W
Voltage type	DC
Current	350 mA
Lamp	LED
Protection class	III
Degree of protection	IP20
Energy efficiency class	D
Bulb change possible	The light source of this luminaire may only be replaced by the manufacturer or a service technician commissioned by him or a similarly qualified person.


**JANIA-S LED recessed spot set, on/off switchable**

Article no. 38310253

Operating technology of driver	
Article No. of used driver	17662000
Length	68 mm
Width	35 mm
Hight	21 mm
AC nominal voltage min	90 V
AC nominal voltage max	264 V
Frequency max	60 Hz
Dimmable	No
Control	on/off
Starting current	40 A,50 µs
Power min	1 W
Power	7.2 W
Output current	350 mA
Degree of protection	IP20
Protection class	II
Flicker-free	Yes

Mounting technology	
Mounting method	Recessed mounting
Place of installation	Ceiling-mounted
Adjustability	Rotable and pivoted
Swivel angle	30°
Rotation angle	355°
Max. ceiling thickness	15 mm
Further references	No cover with thermal insulation material
Material cover	Glass transparent
Circlip	Without circlip
Suitable for through-wiring	Yes, with optional accessories

Packing data	
Gross weight	0.217 kg
Length of packaging	100 mm
Packaging width	100 mm
Packaging hight	100 mm
Disposal at end of life	This product must not be disposed of with household waste. You are obliged, to dispose of such electrical waste separately. By disposing of electrical waste and other old or defective electronics separately, you support recycling or other forms of re-use. In that way you help to take care and to avoid that harmful substances get into the environment.

Optional accessories	
Article no.: 83330000	
Connection box 230 V AC, 3-pole	
Dimensions: 85 mm x 35 mm x 30 mm	
<a href="https://www.brumberg.com/fileadmin/products/Datenblatt_83330000_2021_DE.pdf">https://www.brumberg.com/fileadmin/products/Datenblatt_83330000_2021_DE.pdf</a>	