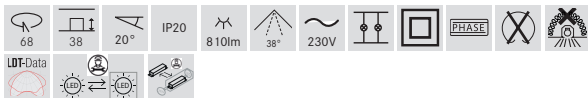
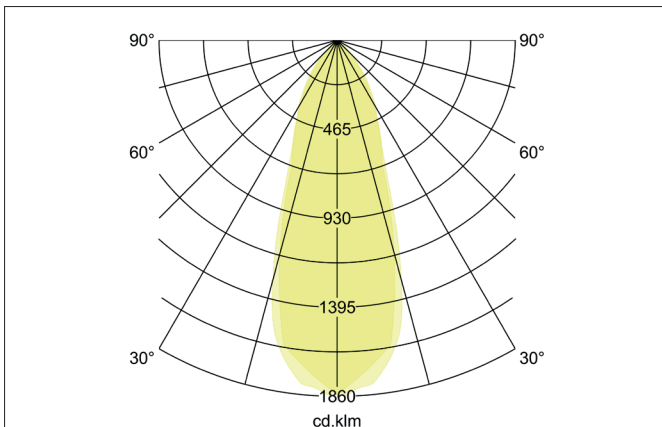
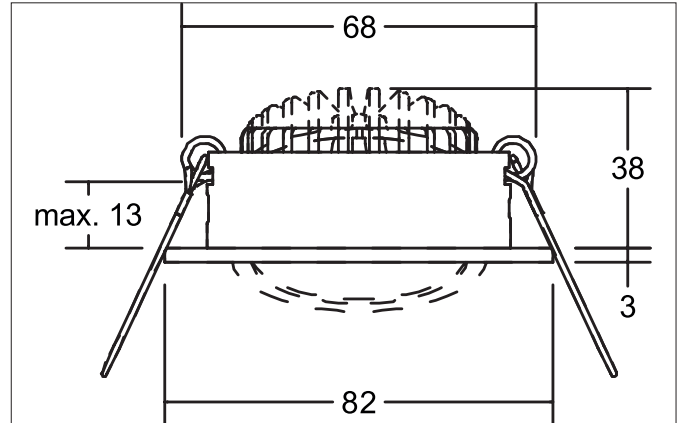
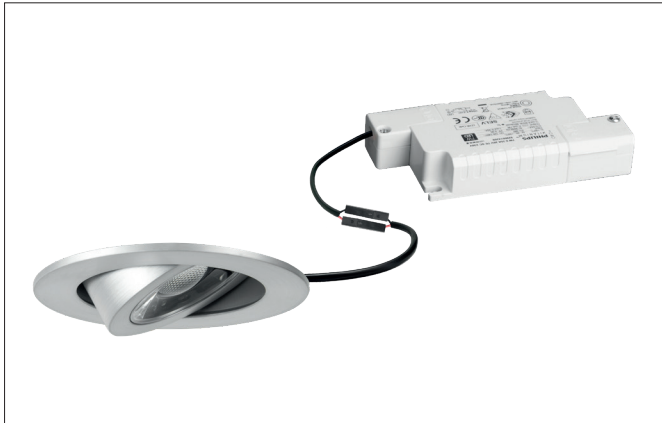




DISC LED recessed spot, with lens optics, trailing-edge phase dimmable

Article no. 39421254



Tender
 LED recessed spot, with lens optics, trailing-edge phase dimmable, Round. Toolless ceiling installation by installation springs. Ceiling cut-out Ø 68 mm, Installation depth 38 mm, Outer diameter 82 mm, Weight 0,18 kg, Reflector silver with rotationssymmetrical, deep, wide distributed light intensity. Cover plastic, transparent Luminous flux 810 lm, Power 1 x 6 W, Light colour neutral white, Correlated color temperature (CCT) 4.000 K, Colour rendering index CRI > 80, Housing material: Aluminium / Glass, Colour: aluminum matt, Permissible ambient temperature (ta): -20 °C up to +25 °C, Protection class (EN 61140): II, Degree of protection (DIN EN 60529): IP20. With electronic driver, Trailing-edge phase dimmable.

Product Benefits

- LED recessed spotlight in round design made of solid aluminum with 6 W LED module with lens optics and dimmable converter (phase cut-off).
- Ceiling cut-out 68 mm, diameter 82 mm, installation depth 38 mm, IP20.
- Pivoting range 30°.
- Without visible snap ring.
- Classic, formally restrained design.
- Also available in the same look as a pure luminaire for 350 mA (without converter) and as a switchable set.


DISC LED recessed spot, with lens optics, trailing-edge phase dimmable

Article no. 39421254

Article data	
Article no.	39421254
GTIN	4251433950356
Series name	DISC
Short description	LED recessed spot, with lens optics, trailing-edge phase dimmable
Material	Aluminium / Glass
Colour	aluminum matt
Type of surface	Matt
Shape	Round
Outer diameter	82 mm
Built-in diameter min.	67 mm
Built-in diameter max.	68 mm
Installation depth	38 mm
Hight	3 mm
Weight	0.18 kg
D licence plate	No
Conformance	CE, UKCA

Lighting technology	
Colour temperature	4.000 K
Light colour	white
Light output	Direct
Luminous flux	810 lm
System efficiency	135 lm/W
Colour rendering	CRI > 80
Reflector	Faceted
Reflector colour	silver
Beam angle	38°
Light sharing	Symmetric
Adjustable color temperature	No

Operating technology of the luminaire	
System output	6 W
Voltage type	AC
AC nominal voltage max	230 V
Frequency max	50 Hz
Lamp	LED
Protection class	II
Degree of protection	IP20
Dimmable	Yes
Control	Trailing-edge phase
Bulb change possible	The light source of this luminaire may only be replaced by the manufacturer or a service technician commissioned by him or a similarly qualified person.
Energy efficiency class	not required

Operating technology of the luminaire	
Hight	3 mm
Outer diameter	82 mm
Lamp holder	Plug&Play
Power	6 W
Voltage type	DC
Current	350 mA
Lamp	LED
Protection class	III
Degree of protection	IP20
Energy efficiency class	not required
Bulb change possible	Yes


DISC LED recessed spot, with lens optics, trailing-edge phase dimmable

Article no. 39421254

Mounting technology	
Mounting method	Recessed mounting
Place of installation	Ceiling-mounted
Adjustability	Pivoted
Swivel angle	20°
Max. ceiling thickness	13 mm
Further references	No cover with thermal insulation material
Material cover	Plastic, transparent
Circlip	Without circlip
Suitable for through-wiring	Yes, with optional accessories

Packing data	
Gross weight	0.236 kg
Length of packaging	95 mm
Packaging width	75 mm
Packaging height	95 mm
Disposal at end of life	This product must not be disposed of with household waste. You are obliged, to dispose of such electrical waste separately. By disposing of electrical waste and other old or defective electronics separately, you support recycling or other forms of re-use. In that way you help to take care and to avoid that harmful substances get into the environment.

Optional accessories	
Article no.: 81201250 Reducing ring D 110 mm, for luminaire cut-out size 68 mm	
Dimensions: 110 mm https://www.brumberg.com/fileadmin/products/Datenblatt_81201250_2021_DE.pdf	
Article no.: 81202250 Reducing ring D 130 mm, for luminaire cut-out size 68 mm	
Dimensions: 130 mm https://www.brumberg.com/fileadmin/products/Datenblatt_81202250_2021_DE.pdf	
Article no.: 81203250 Reducing ring D 145 mm, for luminaire cut-out size 68 mm	
Dimensions: 145 mm https://www.brumberg.com/fileadmin/products/Datenblatt_81203250_2021_DE.pdf	
Article no.: 83330000 Connection box 230 V AC, 3-pole	
Dimensions: 85 mm x 35 mm x 30 mm https://www.brumberg.com/fileadmin/products/Datenblatt_83330000_2021_DE.pdf	