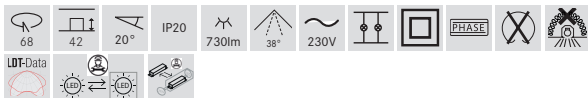
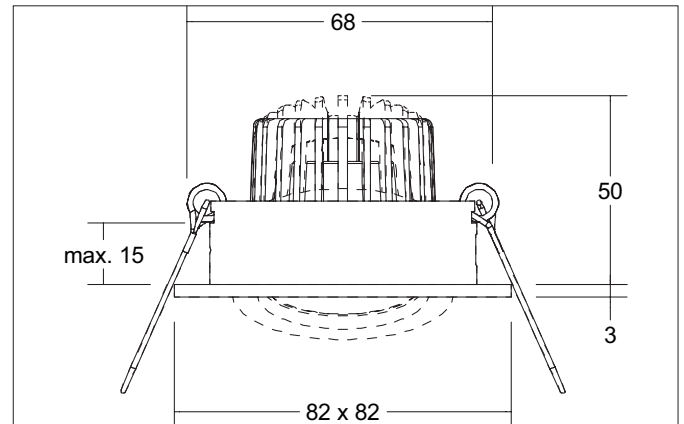



**TIRREL-S LED recessed spot set, trailing-edge phase dimmable
(round converter)**

Article no. 40144253


Tender

LED recessed spot set, trailing-edge phase dimmable (round converter), Square. Toolless ceiling installation by installation springs. Ceiling cut-out Ø 68 mm, Installation depth 42 mm, Length 82 mm, Width 82 mm, Weight 0,151 kg, Reflector silver with rotationssymmetrical, deep, wide distributed light intensity. Cover glass transparent Luminous flux 730 lm, Power 1 x 6 W, Light colour warm white, Correlated color temperature (CCT) 3.000 K, Colour rendering index CRI > 80, Rated life time L70/B50 at 25 °C: 30.000 h, Housing material: Aluminium / Glass / Plastic, Colour: aluminum matt, Permissible ambient temperature (ta): -20 °C up to +25 °C, Protection class (EN 61140): II, Degree of protection (DIN EN 60529): IP20. With electronic driver, Trailing-edge phase dimmable.

Product Benefits

- LED recessed spot in square design made of solid aluminum.
- with LED module 6 W (3,000 K) and dimmable round converter trailing-edge phase.
- Ceiling cutout 68 mm, diameter 82 mm, installation depth 50 mm, IP20.
- Pivoting range 25°.
- Large color variation. Without visible snap ring.
- Classic, formally restrained design.
- In the same optics also in GX5,3 or GU10 version and as dimmable DALI set and as a loudspeaker.
- In addition, in the same surface structure and in the same color also available in round design.


**TIRREL-S LED recessed spot set, trailing-edge phase dimmable
(round converter)**

Article no. 40144253

Article data	
Article no.	40144253
GTIN	4251433950646
Series name	TIRREL-S
Short description	LED recessed spot set, trailing-edge phase dimmable (round converter)
Material	Aluminium / Glass / Plastic
Colour	aluminum matt
Type of surface	Matt
Shape	Square
Length	82 mm
Width	82 mm
Built-in diameter min.	67 mm
Built-in diameter max.	68 mm
Installation depth	42 mm
Hight	3 mm
Weight	0.151 kg
D licence plate	No
Conformance	CE, UKCA

Lighting technology	
Colour temperature	3.000 K
Light colour	white
Light output	Direct
Luminous flux	730 lm
System efficiency	122 lm/W
Colour rendering	CRI > 80
Reflector	Faceted
Reflector colour	silver
Beam angle	38°
Light sharing	Symmetric
Adjustable color temperature	No

Operating technology of the luminaire	
System output	6 W
Voltage type	AC
AC nominal voltage max	230 V
Frequency max	50 Hz
Lamp	LED
Protection class	II
Degree of protection	IP20
Dimmable	Yes
Control	Trailing-edge phase
Bulb change possible	The light source of this luminaire may only be replaced by the manufacturer or a service technician commissioned by him or a similarly qualified person.
Rated life time L70/B50 at 25 °C	30,000 h
Energy efficiency class	not required


**TIRREL-S LED recessed spot set, trailing-edge phase dimmable
(round converter)**

Article no. 40144253

Operating technology of the luminaire	
Article No. of used light source	12924383
Hight	32 mm
Outer diameter	50 mm
Lamp holder	Plug&Play
Power	6 W
Voltage type	DC
Current	350 mA
Lamp	LED
Protection class	III
Degree of protection	IP20
Energy efficiency class	D
Bulb change possible	The light source of this luminaire may only be replaced by the manufacturer or a service technician commissioned by him or a similarly qualified person.

Operating technology of driver	
Article No. of used driver	17652000
Hight	24 mm
AC nominal voltage min	200 V
AC nominal voltage max	264 V
Frequency max	60 Hz
Dimmable	Yes
Control	Trailing-edge phase
Starting current	3 A, 100 µs
Power min	4.9 W
Power	7 W
Output current	350 mA
Degree of protection	IP20
Protection class	II
Flicker-free	Yes

Mounting technology	
Mounting method	Recessed mounting
Place of installation	Ceiling-mounted
Adjustability	Pivoted
Swivel angle	20°
Max. ceiling thickness	15 mm
Further references	No cover with thermal insulation material
Material cover	Glass transparent
Circlip	Without circlip
Suitable for through-wiring	Yes, with optional accessories

Packing data	
Gross weight	0.191 kg
Length of packaging	95 mm
Packaging width	75 mm
Packaging hight	95 mm
Disposal at end of life	This product must not be disposed of with household waste. You are obliged, to dispose of such electrical waste separately. By disposing of electrical waste and other old or defective electronics separately, you support recycling or other forms of re-use. In that way you help to take care and to avoid that harmful substances get into the environment.



BRUMBERG

Light. Since 1873.

**TIRREL-S LED recessed spot set, trailing-edge phase dimmable
(round converter)**

Article no. 40144253

Optional accessories

Article no.: 83330000

Connection box 230 V AC, 3-pole

Dimensions: 85 mm x 35 mm x 30 mm

https://www.brumberg.com/fileadmin/products/Datenblatt_83330000_2021_DE.pdf

Article no.: 5327

Leaf spring set (2 pieces)

https://www.brumberg.com/fileadmin/products/Datenblatt_00532700_2021_DE.pdf