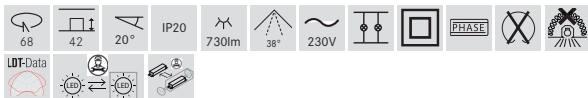
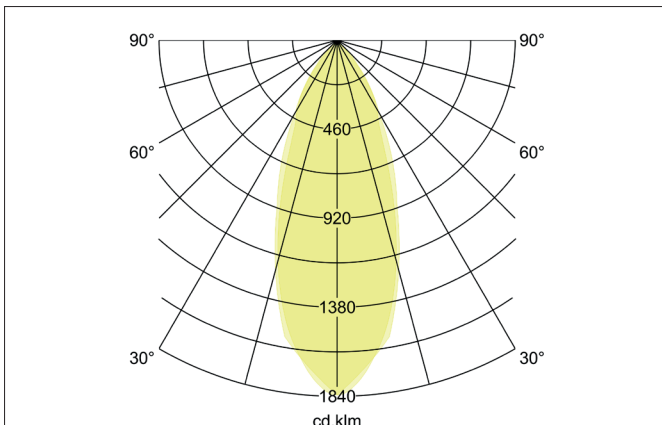
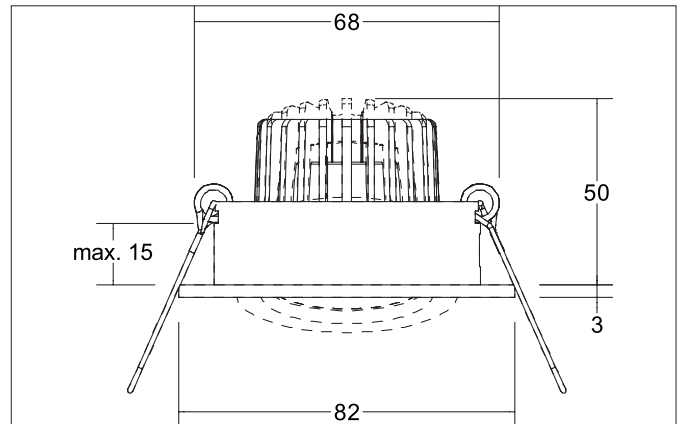


TIRREL-R LED recessed spot set, trailing-edge phase dimmable
Article no. 39143643



Tender
LED recessed spot set, trailing-edge phase dimmable, Round. Toolless ceiling installation by installation springs. Ceiling cut-out Ø 68 mm, Installation depth 42 mm, Outer diameter 82 mm, Weight 0,176 kg, Reflector silver with rotationssymmetrical, deep, wide distributed light intensity. Cover glass transparent Luminous flux 730 lm, Power 1 x 6 W, Light colour warm white, Correlated color temperature (CCT) 3.000 K, Colour rendering index CRI > 80, Housing material: Aluminium / Glass / Plastic, Colour: titanium matt, Permissible ambient temperature (ta): -20 °C up to +25 °C, Protection class (EN 61140): II, Degree of protection (DIN EN 60529): IP20. With electronic driver, Trailing-edge phase dimmable.

Product Benefits

- LED recessed spot in round design made of solid aluminum.
with LED module 6 W (3,000 K) and dimmable converter phase section.
- Ceiling cutout 68 mm, diameter 82 mm, installation depth 50 mm, IP20.
- Pivoting range 25°.
- Large color variation. Without visible snap ring.
- Classic, formally restrained design.
- In the same optics also in GX5,3 or GU10 version and as dimmable DALI set and as a loudspeaker.
- In addition, in the same surface structure and in the same color also available in square version.


TIRREL-R LED recessed spot set, trailing-edge phase dimmable

Article no. 39143643

| Article data | |
|------------------------|---|
| Article no. | 39143643 |
| GTIN | 4251433950462 |
| Series name | TIRREL-R |
| Short description | LED recessed spot set, trailing-edge phase dimmable |
| Material | Aluminium / Glass / Plastic |
| Colour | titanium matt |
| Type of surface | Matt |
| Shape | Round |
| Outer diameter | 82 mm |
| Built-in diameter min. | 67 mm |
| Built-in diameter max. | 68 mm |
| Installation depth | 42 mm |
| Hight | 3 mm |
| Weight | 0.176 kg |
| D licence plate | No |
| Conformance | CE, UKCA |

| Lighting technology | |
|------------------------------|-----------|
| Colour temperature | 3.000 K |
| Light output | Direct |
| Luminous flux | 730 lm |
| System efficiency | 122 lm/W |
| Colour rendering | CRI > 80 |
| Reflector | Faceted |
| Reflector colour | silver |
| Beam angle | 38° |
| Light sharing | Symmetric |
| Adjustable color temperature | No |

| Operating technology of the luminaire | |
|---------------------------------------|--|
| System output | 6 W |
| Voltage type | AC |
| AC nominal voltage max | 230 V |
| Frequency max | 50 Hz |
| Lamp | LED |
| Protection class | II |
| Degree of protection | IP20 |
| Dimmable | Yes |
| Control | Trailing-edge phase |
| Bulb change possible | The light source of this luminaire may only be replaced by the manufacturer or a service technician commissioned by him or a similarly qualified person. |
| Energy efficiency class | not required |

| Operating technology of the luminaire | |
|---------------------------------------|--|
| Article No. of used light source | 12924383 |
| Hight | 32 mm |
| Outer diameter | 50 mm |
| Lamp holder | Plug&Play |
| Power | 6 W |
| Voltage type | DC |
| Current | 350 mA |
| Lamp | LED |
| Protection class | III |
| Degree of protection | IP20 |
| Energy efficiency class | D |
| Bulb change possible | The light source of this luminaire may only be replaced by the manufacturer or a service technician commissioned by him or a similarly qualified person. |


TIRREL-R LED recessed spot set, trailing-edge phase dimmable

Article no. 39143643

| Operating technology of driver | |
|--------------------------------|---------------------|
| Article No. of used driver | 17663000 |
| Length | 110 mm |
| Width | 50 mm |
| Hight | 19 mm |
| AC nominal voltage min | 198 V |
| AC nominal voltage max | 264 V |
| Frequency max | 60 Hz |
| Dimmable | Yes |
| Control | Trailing-edge phase |
| Starting current | 1 A, 15,2 μ s |
| Power min | 2.8 W |
| Power | 7 W |
| Output current | 350 mA |
| Degree of protection | IP20 |
| Protection class | II |
| Flicker-free | Yes |

| Mounting technology | |
|-----------------------------|---|
| Mounting method | Recessed mounting |
| Place of installation | Ceiling-mounted |
| Adjustability | Pivoted |
| Swivel angle | 20° |
| Max. ceiling thickness | 15 mm |
| Further references | No cover with thermal insulation material |
| Material cover | Glass transparent |
| Circlip | Without circlip |
| Suitable for through-wiring | Yes, with optional accessories |

| Packing data | |
|-------------------------|---|
| Gross weight | 0.25 kg |
| Length of packaging | 100 mm |
| Packaging width | 100 mm |
| Packaging hight | 100 mm |
| Disposal at end of life | This product must not be disposed of with household waste. You are obliged, to dispose of such electrical waste separately. By disposing of electrical waste and other old or defective electronics separately, you support recycling or other forms of re-use. In that way you help to take care and to avoid that harmful substances get into the environment. |

| Optional accessories | |
|-----------------------------------|---|
| Article no.: 83330000 | Connection box 230 V AC, 3-pole |
| Dimensions: 85 mm x 35 mm x 30 mm | https://www.brumberg.com/fileadmin/products/Datenblatt_83330000_2021_DE.pdf |
| Article no.: 5327 | Leaf spring set (2 pieces) |
| | https://www.brumberg.com/fileadmin/products/Datenblatt_00532700_2021_DE.pdf |