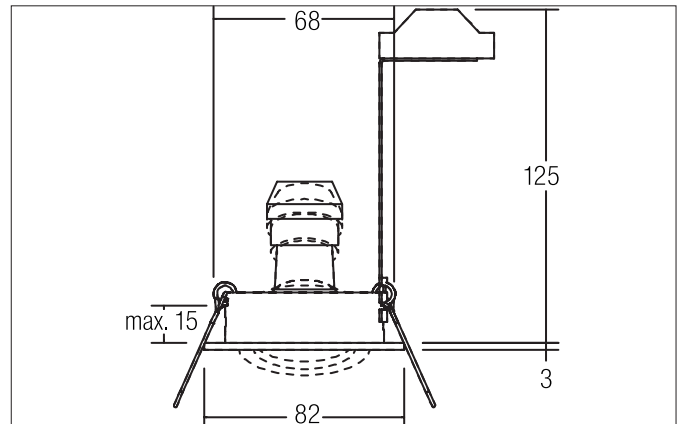


**TIRREL-R Recessed spot, GU 10**

Article no. 36143020

**Tender**

Recessed spot, GU10, chrome glossy, Round. In a compact design, for installation in tool-less rapid assembly systems. Lamp holder: GU10, Mounting method: Recessed mounting, Place of installation: Ceiling-mounted, Material: Aluminium, Degree of protection: according to DIN EN 60529 IP20, Protection class: (EN 61140) II, Voltage: 230V AC 50Hz, Power: 10 W, Amount of light sources / fittings: 1 piece, Adjustability: Pivoted, without control gear, Type of dimming: Other.

**Product Benefits**

- Recessed spot in round design made of solid aluminum.  
for LED retrofit lamps with GU10 base.
- Ceiling cutout 68 mm, diameter 82 mm, installation depth 125 mm, IP20.
- Swivel range 25°.
- Large color variation. Without visible snap ring.
- Classic, formally restrained design.
- In the same optics also available as GX5.3 version, as switchable and dimmable set (trailing-edge phase or DALI) and as a loudspeaker.
- In addition, in the same surface structure and in the same color also available in square version.


**TIRREL-R Recessed spot, GU10**

Article no. 36143020

Article data	
Article no.	36143020
GTIN	4251433907152
Series name	TIRREL-R
Short description	Recessed spot, GU10
Material	Aluminium
Colour	chrome glossy
Type of surface	Glossy
Shape	Round
Outer diameter	82 mm
Built-in diameter min.	67 mm
Built-in diameter max.	68 mm
Installation depth	125 mm
Hight	3 mm
Weight	0.127 kg
D licence plate	No
Conformance	CE, UKCA

Operating technology of the luminaire	
System output	10 W
Voltage type	AC
AC nominal voltage max	230 V
Frequency max	50 Hz
Lamp	For LED-retrofill lamp
Lamp holder	GU10
Protection class	II
Degree of protection	IP20
Control	Other
Bulb change possible	Yes
Energy efficiency class	not required

Mounting technology	
Mounting method	Recessed mounting
Place of installation	Ceiling-mounted
Adjustability	Pivoted
Swivel angle	20°
Max. ceiling thickness	15 mm
Further references	No cover with thermal insulation material
Material cover	Without cover
Circlip	Without circlip

Packing data	
Gross weight	0.187 kg
Length of packaging	140 mm
Packaging width	110 mm
Packaging hight	120 mm
Disposal at end of life	<p>This product must not be disposed of with household waste. You are obliged, to dispose of such electrical waste separately.</p> <p>By disposing of electrical waste and other old or defective electronics separately, you support recycling or other forms of re-use. In that way you help to take care and to avoid that harmful substances get into the environment.</p>



**TIRREL-R Recessed spot, GU 10**

Article no. 36143020

**Optional accessories**

Article no.: 81204020

Reducing ring D 110 mm, for luminaire cut-out size 68 mm

[https://www.brumberg.com/fileadmin/products/Datenblatt\\_81204020\\_2021\\_DE.pdf](https://www.brumberg.com/fileadmin/products/Datenblatt_81204020_2021_DE.pdf)

Article no.: 81205020

Reducing ring D 130 mm, for luminaire cut-out size 68 mm

[https://www.brumberg.com/fileadmin/products/Datenblatt\\_81205020\\_2021\\_DE.pdf](https://www.brumberg.com/fileadmin/products/Datenblatt_81205020_2021_DE.pdf)

Article no.: 81206020

Reducing ring D 145 mm, for luminaire cut-out size 68 mm

[https://www.brumberg.com/fileadmin/products/Datenblatt\\_81206020\\_2021\\_DE.pdf](https://www.brumberg.com/fileadmin/products/Datenblatt_81206020_2021_DE.pdf)

Article no.: 5327

Leaf spring set

[https://www.brumberg.com/fileadmin/products/Datenblatt\\_00532700\\_2021\\_DE.pdf](https://www.brumberg.com/fileadmin/products/Datenblatt_00532700_2021_DE.pdf)