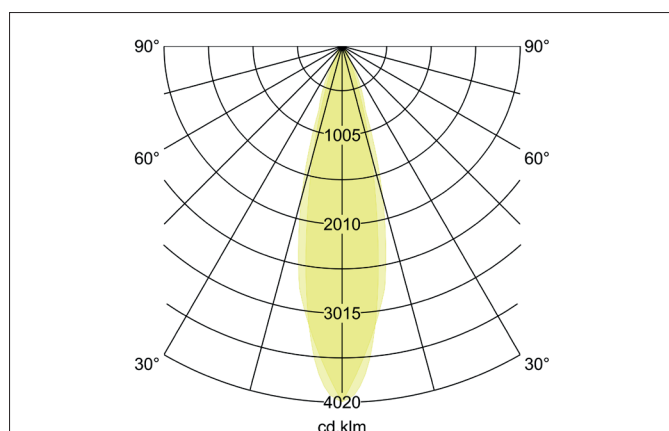
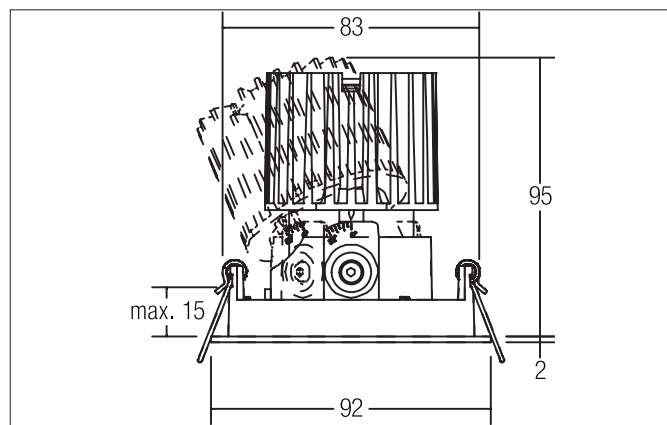


**ARUN-R LED recessed spot**

Article no. 12603173

**Tender**

LED recessed spot, Round. Toolless ceiling installation by installation springs. Ceiling cut-out Ø 83 mm, Installation depth 95 mm, Outer diameter 92 mm, Weight 0,271 kg, Reflector silver with rotationssymmetrical, deep, wide distributed light intensity. Luminous flux 1.300 lm, Power 1 x 12,2 W, Light colour warm white, Correlated color temperature (CCT) 3.000 K, Colour rendering index CRI > 80, Housing material: Aluminium / Plastic, Colour: white structure, Permissible ambient temperature (ta): -20 °C up to +25 °C, Protection class (EN 61140): III, Degree of protection (DIN EN 60529): IP20. For connection to an external driver, which is not included in the scope of delivery of the luminaire. Depending on driver dimmable.

**Product Benefits**

- Recessed spot in round design made of solid aluminum.
- Ceiling cutout 83 mm, diameter 92 mm, Installation depth 95 mm, luminous flux 1,300 lm, IP20.
- Pivoting range 30°, rotation range 355°.
- Dimmable when using a suitable converter.
- In the same surface structure and in the same color also available in square, rectangular and oval versions.

**ARUN-R LED recessed spot**

Article no. 12603173

Article data	
Article no.	12603173
GTIN	4251433920199
Series name	ARUN-R
Short description	LED recessed spot
Material	Aluminium / Plastic
Colour	white structure
Type of surface	Structure
Shape	Round
Outer diameter	92 mm
Built-in diameter min.	80 mm
Built-in diameter max.	83 mm
Installation depth	95 mm
Hight	2 mm
Weight	0.271 kg
D licence plate	No
Conformance	CE, UKCA

Lighting technology	
Colour temperature	3.000 K
Light colour	white
Light output	Direct
Luminous flux	1,300 lm
System efficiency	107 lm/W
Colour rendering	CRI > 80
Reflector	Faceted
Reflector colour	silver
Beam angle	29°
Light sharing	Symmetric
Adjustable color temperature	No

Operating technology of the luminaire	
Voltage type	DC
Current	350 mA
Lamp	LED
Protection class	III
Degree of protection	IP20
Dimmable	Depending on type of control gear
Control	Depending on driver
Bulb change possible	The light source of this luminaire may only be replaced by the manufacturer or a service technician commissioned by him or a similarly qualified person.
Energy efficiency class	not required

Operating technology of driver	
Protection class	III
Degree of protection	IP20
Power	12.2 W
Control	Depending on driver


**ARUN-R LED recessed spot**

Article no. 12603173

Mounting technology	
Mounting method	Recessed mounting
Place of installation	Ceiling-mounted
Adjustability	Rotable and pivoted
Swivel angle	30°
Rotation angle	355°
Max. ceiling thickness	15 mm
Further references	No cover with thermal insulation material
Material cover	Without cover
Suitable for through-wiring	Yes, with optional accessories

Packing data	
Gross weight	0.366 kg
Length of packaging	135 mm
Packaging width	135 mm
Packaging height	115 mm
Disposal at end of life	<p>This product must not be disposed of with household waste. You are obliged, to dispose of such electrical waste separately.</p> <p>By disposing of electrical waste and other old or defective electronics separately, you support recycling or other forms of re-use. In that way you help to take care and to avoid that harmful substances get into the environment.</p>

**ARUN-R LED recessed spot**

Article no. 12603173

Required accessories
<p>Article no.: 17613010            LED converter 350 mA, on/off switchable            Power: 1 - 15 W, ohne Konfektionierung            Dimensions: 115 mm x 34 mm x 19 mm  <a href="https://www.brumberg.com/fileadmin/products/Datenblatt_17613010_2021_DE.pdf">https://www.brumberg.com/fileadmin/products/Datenblatt_17613010_2021_DE.pdf</a></p>
<p>Article no.: 17621010            LED converter 350 mA, on/off switchable            Power: 1 - 21 W, ohne Konfektionierung            Dimensions: 128 mm x 50 mm x 13 mm  <a href="https://www.brumberg.com/fileadmin/products/Datenblatt_17621010_2021_DE.pdf">https://www.brumberg.com/fileadmin/products/Datenblatt_17621010_2021_DE.pdf</a></p>
<p>Article no.: 17664010            LED converter 350 mA, trailing-edge phase dimmable            Power: 10,2 - 14 W, ohne Konfektionierung            Dimensions: 125 mm x 51 mm x 20 mm  <a href="https://www.brumberg.com/fileadmin/products/Datenblatt_17664010_2021_DE.pdf">https://www.brumberg.com/fileadmin/products/Datenblatt_17664010_2021_DE.pdf</a></p>
<p>Article no.: 17643010            LED converter 350 mA, trailing-edge phase dimmable            Power: 8,8 - 18 W, ohne Konfektionierung            Dimensions: 110.5 mm x 52 mm x 22 mm  <a href="https://www.brumberg.com/fileadmin/products/Datenblatt_17643010_2021_DE.pdf">https://www.brumberg.com/fileadmin/products/Datenblatt_17643010_2021_DE.pdf</a></p>
<p>Article no.: 17648010            LED converter 350 mA, trailing-edge phase dimmable            Power: 0,7 - 17 W, ohne Konfektionierung            Dimensions: 166 mm x 46 mm x 34 mm  <a href="https://www.brumberg.com/fileadmin/products/Datenblatt_17648010_2021_DE.pdf">https://www.brumberg.com/fileadmin/products/Datenblatt_17648010_2021_DE.pdf</a></p>
<p>Article no.: 17657010            LED converter 350 mA, 1-10 V dimmable (analog)            Power: 5,2 - 18 W, ohne Konfektionierung            Dimensions: 110 mm x 52 mm x 22 mm  <a href="https://www.brumberg.com/fileadmin/products/Datenblatt_17657010_2021_DE.pdf">https://www.brumberg.com/fileadmin/products/Datenblatt_17657010_2021_DE.pdf</a></p>
<p>Article no.: 17683010            LED converter 350 mA, DALI dimmable (digital)            Power: 3,5 - 17 W, ohne Konfektionierung            Dimensions: 110.5 mm x 52 mm x 22 mm  <a href="https://www.brumberg.com/fileadmin/products/Datenblatt_17683010_2021_DE.pdf">https://www.brumberg.com/fileadmin/products/Datenblatt_17683010_2021_DE.pdf</a></p>
<p>Article no.: 17682010            LED converter 350 mA, DALI dimmable (digital)            Power: 1,8 - 18,5 W, ohne Konfektionierung            Dimensions: 146.5 mm x 43.5 mm x 22 mm  <a href="https://www.brumberg.com/fileadmin/products/Datenblatt_17682010_2021_DE.pdf">https://www.brumberg.com/fileadmin/products/Datenblatt_17682010_2021_DE.pdf</a></p>
<p>Article no.: 17671010            LED converter 350mA, ZigBee dimmable            Power: 3,5 - 18,5 W, ohne Konfektionierung            Dimensions: 146.5 mm x 44 mm x 30 mm  <a href="https://www.brumberg.com/fileadmin/products/Datenblatt_17671010_2021_DE.pdf">https://www.brumberg.com/fileadmin/products/Datenblatt_17671010_2021_DE.pdf</a></p>
<p>Article no.: 17672010            LED converter 350mA, Casambi dimmable            Power: 3,5 - 18,5 W, ohne Konfektionierung            Dimensions: 146.5 mm x 44 mm x 30 mm  <a href="https://www.brumberg.com/fileadmin/products/Datenblatt_17672010_2021_DE.pdf">https://www.brumberg.com/fileadmin/products/Datenblatt_17672010_2021_DE.pdf</a></p>



**ARUN-R LED recessed spot**

Article no. 12603173

**Optional accessories**

Article no.: 83330000

Connection box 230 V AC, 3-pole

Dimensions: 85 mm x 35 mm x 30 mm

[https://www.brumberg.com/fileadmin/products/Datenblatt\\_83330000\\_2021\\_DE.pdf](https://www.brumberg.com/fileadmin/products/Datenblatt_83330000_2021_DE.pdf)

Article no.: 83331000

Connection box 230 V AC, 5-pole (DALI / 1-10 V)

Dimensions: 90 mm x 52 mm x 30 mm

[https://www.brumberg.com/fileadmin/products/Datenblatt\\_83331000\\_2021\\_DE.pdf](https://www.brumberg.com/fileadmin/products/Datenblatt_83331000_2021_DE.pdf)