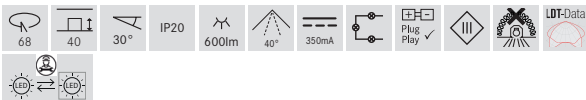
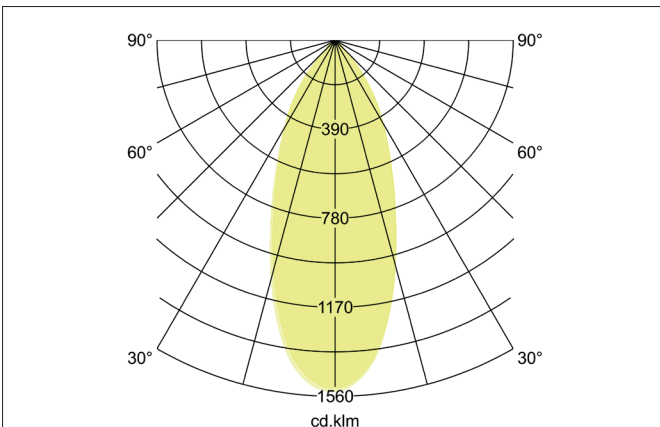
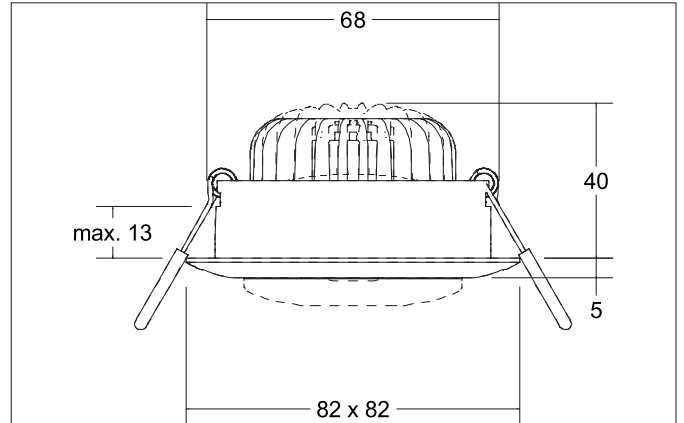


**CELINDA-S LED recessed spot**

Article no. 12385173



**Tender**  
LED recessed spot, Square. Toolless ceiling installation by installation springs. Ceiling cut-out Ø 68 mm, Installation depth 40 mm, Length 82 mm, Width 82 mm, Weight 0,161 kg, Reflector silver with rotationssymmetrical, deep, wide distributed light intensity. Cover plastic, transparent Luminous flux 600 lm, Power 1 x 7 W, Light colour warm white, Correlated color temprature (CCT) 3.000 K, Colour rendering index CRI > 80, Housing material: Aluminium / Polycarbonate, Colour: white structure, Permissible ambient temperature (ta): -20 °C up to +25 °C, Protection class (EN 61140): III, Degree of protection (DIN EN 60529): IP20. For connection to an external driver, which is not included in the scope of delivery of the luminaire. Depending on driver dimmable.

**Product Benefits**

- Recessed downlight in square design made of solid aluminum.
- Ceiling cutout 68 mm, outer diameter 82 mm, recess depth 40 mm, luminous flux 600 lm, IP20.
- Dimmable when using a suitable converter.
- In the same surface structure and colors also available recessed rigid.

**CELINDA-S LED recessed spot**

Article no. 12385173

Article data	
Article no.	12385173
GTIN	425 1433925538
Series name	CELINDA-S
Short description	LED recessed spot
Material	Aluminium / Polycarbonate
Colour	white structure
Type of surface	Structure
Shape	Square
Length	82 mm
Width	82 mm
Built-in diameter min.	67 mm
Built-in diameter max.	68 mm
Installation depth	40 mm
Hight	5 mm
Weight	0.161 kg
D licence plate	No
Conformance	CE, UKCA

Lighting technology	
Colour temperature	3.000 K
Light colour	white
Light output	Direct
Luminous flux	600 lm
System efficiency	86 lm/W
Colour rendering	CRI > 80
Reflector	Faceted
Reflector colour	silver
Beam angle	40°
Light sharing	Symmetric
Adjustable color temperature	No

Operating technology of the luminaire	
Voltage type	DC
Current	350 mA
Lamp	LED
Lamp holder	Plug&Play
Protection class	III
Degree of protection	IP20
Dimmable	Depending on type of control gear
Control	Depending on driver
Bulb change possible	The light source of this luminaire may only be replaced by the manufacturer or a service technician commissioned by him or a similarly qualified person.
Energy efficiency class	not required

Mounting technology	
Mounting method	Recessed mounting
Place of installation	Ceiling-mounted
Adjustability	Pivoted
Swivel angle	30°
Max. ceiling thickness	13 mm
Further references	No cover with thermal insulation material
Material cover	Plastic, transparent
Suitable for through-wiring	Yes, with optional accessories

**CELINDA-S LED recessed spot**

Article no. 12385173

Packing data	
Gross weight	0.207 kg
Length of packaging	115 mm
Packaging width	85 mm
Packaging height	65 mm
Disposal at end of life	<p>This product must not be disposed of with household waste. You are obliged, to dispose of such electrical waste separately.</p> <p>By disposing of electrical waste and other old or defective electronics separately, you support recycling or other forms of re-use. In that way you help to take care and to avoid that harmful substances get into the environment.</p>

**CELINDA-S LED recessed spot**

Article no. 12385173

Required accessories
<p>Article no.: 17662000            LED converter 350 mA, on/off switchable            Power: 1 - 7,2 W, Plug&amp;Play            Dimensions: 68 mm x 35 mm x 21 mm  <a href="https://www.brumberg.com/fileadmin/products/Datenblatt_17662000_2021_DE.pdf">https://www.brumberg.com/fileadmin/products/Datenblatt_17662000_2021_DE.pdf</a></p>
<p>Article no.: 17662020            LED converter 350 mA, on/off switchable            Power: 1 - 7,2 W, Plug&amp;Play + Anschlussbox            Dimensions: 35 mm x 21 mm  <a href="https://www.brumberg.com/fileadmin/products/Datenblatt_17662020_2021_DE.pdf">https://www.brumberg.com/fileadmin/products/Datenblatt_17662020_2021_DE.pdf</a></p>
<p>Article no.: 17663000            LED converter 350 mA, trailing-edge phase dimmable            Power: 2,8 - 7 W, Plug&amp;Play            Dimensions: 110 mm x 50 mm x 19 mm  <a href="https://www.brumberg.com/fileadmin/products/Datenblatt_17663000_2021_DE.pdf">https://www.brumberg.com/fileadmin/products/Datenblatt_17663000_2021_DE.pdf</a></p>
<p>Article no.: 17663020            LED converter 350 mA, trailing-edge phase dimmable            Power: 2,8 - 7 W, Plug&amp;Play + Anschlussbox            Dimensions: 110 mm x 50 mm x 19 mm  <a href="https://www.brumberg.com/fileadmin/products/Datenblatt_17663020_2021_DE.pdf">https://www.brumberg.com/fileadmin/products/Datenblatt_17663020_2021_DE.pdf</a></p>
<p>Article no.: 17613000            LED converter 350 mA, on/off switchable            Power: 1 - 15 W, Plug&amp;Play            Dimensions: 115 mm x 34 mm x 19 mm  <a href="https://www.brumberg.com/fileadmin/products/Datenblatt_17613000_2021_DE.pdf">https://www.brumberg.com/fileadmin/products/Datenblatt_17613000_2021_DE.pdf</a></p>
<p>Article no.: 17613020            LED converter 350 mA, on/off switchable            Power: 1 - 15 W, Plug&amp;Play + Anschlussbox            Dimensions: 115 mm x 34 mm x 19 mm  <a href="https://www.brumberg.com/fileadmin/products/Datenblatt_17613020_2021_DE.pdf">https://www.brumberg.com/fileadmin/products/Datenblatt_17613020_2021_DE.pdf</a></p>
<p>Article no.: 17621000            LED converter 350 mA, on/off switchable            Power: 1 - 21 W, Plug&amp;Play            Dimensions: 128 mm x 50 mm x 13 mm  <a href="https://www.brumberg.com/fileadmin/products/Datenblatt_17621000_2021_DE.pdf">https://www.brumberg.com/fileadmin/products/Datenblatt_17621000_2021_DE.pdf</a></p>
<p>Article no.: 17621020            LED converter 350 mA, on/off switchable            Power: 1 - 21 W, Plug&amp;Play + Anschlussbox            Dimensions: 128 mm x 50 mm x 13 mm  <a href="https://www.brumberg.com/fileadmin/products/Datenblatt_17621020_2021_DE.pdf">https://www.brumberg.com/fileadmin/products/Datenblatt_17621020_2021_DE.pdf</a></p>
<p>Article no.: 17652000            LED-round converter 350 mA, trailing-edge phase dimmer            Power: 4,9 - 7 W, Plug&amp;Play            Dimensions: 51 mm x 24 mm  <a href="https://www.brumberg.com/fileadmin/products/Datenblatt_17652000_2021_DE.pdf">https://www.brumberg.com/fileadmin/products/Datenblatt_17652000_2021_DE.pdf</a></p>
<p>Article no.: 17652020            LED-round converter 350 mA, trailing-edge phase dimmer            Power: 4,9 - 7 W, Plug&amp;Play + Anschlussbox            Dimensions: 51 mm x 24 mm  <a href="https://www.brumberg.com/fileadmin/products/Datenblatt_17652020_2021_DE.pdf">https://www.brumberg.com/fileadmin/products/Datenblatt_17652020_2021_DE.pdf</a></p>

**CELINDA-S LED recessed spot**

Article no. 12385173

Required accessories
<p>Article no.: 17640000            LED converter 350 mA, trailing-edge phase dimmable            Power: 4,2 - 10 W, Plug&amp;Play            Dimensions: 102 mm x 38 mm x 21 mm  <a href="https://www.brumberg.com/fileadmin/products/Datenblatt_17640000_2021_DE.pdf">https://www.brumberg.com/fileadmin/products/Datenblatt_17640000_2021_DE.pdf</a></p>
<p>Article no.: 17640020            LED converter 350 mA, trailing-edge phase dimmable            Power: 4,2 - 10 W, Plug&amp;Play + Anschlussbox            Dimensions: 102 mm x 38 mm x 21 mm  <a href="https://www.brumberg.com/fileadmin/products/Datenblatt_17640020_2021_DE.pdf">https://www.brumberg.com/fileadmin/products/Datenblatt_17640020_2021_DE.pdf</a></p>
<p>Article no.: 17648000            LED converter 350 mA, trailing-edge phase dimmable            Power: 0,7 - 17 W, Plug&amp;Play            Dimensions: 166 mm x 46 mm x 34 mm  <a href="https://www.brumberg.com/fileadmin/products/Datenblatt_17648000_2021_DE.pdf">https://www.brumberg.com/fileadmin/products/Datenblatt_17648000_2021_DE.pdf</a></p>
<p>Article no.: 17648020            LED converter 350 mA, trailing-edge phase dimmable            Power: 0,7 - 17 W, Plug&amp;Play + Anschlussbox            Dimensions: 166 mm x 46 mm x 34 mm  <a href="https://www.brumberg.com/fileadmin/products/Datenblatt_17648020_2021_DE.pdf">https://www.brumberg.com/fileadmin/products/Datenblatt_17648020_2021_DE.pdf</a></p>
<p>Article no.: 17657000            LED converter 350 mA, 1-10 V dimmable (analog)            Power: 5,2 - 18 W, Plug&amp;Play            Dimensions: 110 mm x 52 mm x 22 mm  <a href="https://www.brumberg.com/fileadmin/products/Datenblatt_17657000_2021_DE.pdf">https://www.brumberg.com/fileadmin/products/Datenblatt_17657000_2021_DE.pdf</a></p>
<p>Article no.: 17682000            LED converter 350 mA, DALI dimmable (digital)            Power: 1,8 - 18,5 W, Plug&amp;Play            Dimensions: 146.5 mm x 43.5 mm x 22 mm  <a href="https://www.brumberg.com/fileadmin/products/Datenblatt_17682000_2021_DE.pdf">https://www.brumberg.com/fileadmin/products/Datenblatt_17682000_2021_DE.pdf</a></p>
<p>Article no.: 17682020            LED converter 350 mA, DALI dimmable (digital)            Power: 1,8 - 18,5 W, Plug&amp;Play + Anschlussbox            Dimensions: 146.5 mm x 43.5 mm x 22 mm  <a href="https://www.brumberg.com/fileadmin/products/Datenblatt_17682020_2021_DE.pdf">https://www.brumberg.com/fileadmin/products/Datenblatt_17682020_2021_DE.pdf</a></p>
<p>Article no.: 17683000            LED converter 350 mA, DALI dimmable (digital)            Power: 3,5 - 17 W, Plug&amp;Play            Dimensions: 110.5 mm x 52 mm x 22 mm  <a href="https://www.brumberg.com/fileadmin/products/Datenblatt_17683000_2021_DE.pdf">https://www.brumberg.com/fileadmin/products/Datenblatt_17683000_2021_DE.pdf</a></p>
<p>Article no.: 17683020            LED converter 350 mA, DALI dimmable (digital)            Power: 3,5 - 17 W, Plug&amp;Play + Anschlussbox            Dimensions: 110.5 mm x 52 mm x 22 mm  <a href="https://www.brumberg.com/fileadmin/products/Datenblatt_17683020_2021_DE.pdf">https://www.brumberg.com/fileadmin/products/Datenblatt_17683020_2021_DE.pdf</a></p>
<p>Article no.: 17684000            LED converter 350 mA, DALI dimmable (digital)            Power: 2,8 - 7 W, Plug&amp;Play            Dimensions: 130 mm x 42 mm x 22 mm  <a href="https://www.brumberg.com/fileadmin/products/Datenblatt_17684000_2021_DE.pdf">https://www.brumberg.com/fileadmin/products/Datenblatt_17684000_2021_DE.pdf</a></p>

**CELINDA-S LED recessed spot**

Article no. 12385173

Required accessories
<p>Article no.: 17684020            LED converter 350 mA, DALI dimmable (digital)            Power: 2,8 - 7 W, Plug&amp;Play + Anschlussbox            Dimensions: 130 mm x 42 mm x 22 mm  <a href="https://www.brumberg.com/fileadmin/products/Datenblatt_17684020_2021_DE.pdf">https://www.brumberg.com/fileadmin/products/Datenblatt_17684020_2021_DE.pdf</a></p>
<p>Article no.: 17658000            LED round converter 350 mA, DALI dimmable (digital)            Power: 2,1 - 9 W, Plug&amp;Play            Dimensions: 56 mm x 25 mm  <a href="https://www.brumberg.com/fileadmin/products/Datenblatt_17658000_2021_DE.pdf">https://www.brumberg.com/fileadmin/products/Datenblatt_17658000_2021_DE.pdf</a></p>
<p>Article no.: 17658020            LED round converter 350 mA, DALI dimmable (digital)            Power: 2,1 - 9 W, Plug&amp;Play + Anschlussbox            Dimensions: 56 mm x 25 mm  <a href="https://www.brumberg.com/fileadmin/products/Datenblatt_17658020_2021_DE.pdf">https://www.brumberg.com/fileadmin/products/Datenblatt_17658020_2021_DE.pdf</a></p>
<p>Article no.: 17671000            LED converter 350mA, ZigBee dimmable            Power: 3,5 - 18,5 W, Plug&amp;Play            Dimensions: 146.5 mm x 44 mm x 30 mm  <a href="https://www.brumberg.com/fileadmin/products/Datenblatt_17671000_2021_DE.pdf">https://www.brumberg.com/fileadmin/products/Datenblatt_17671000_2021_DE.pdf</a></p>
<p>Article no.: 17671020            LED converter 350mA, ZigBee dimmable            Power: 3,5 - 18,5 W, Plug&amp;Play + Anschlussbox            Dimensions: 146.5 mm x 44 mm x 30 mm  <a href="https://www.brumberg.com/fileadmin/products/Datenblatt_17671020_2021_DE.pdf">https://www.brumberg.com/fileadmin/products/Datenblatt_17671020_2021_DE.pdf</a></p>
<p>Article no.: 17672000            LED converter 350mA, Casambi dimmable            Power: 3,5 - 18,5 W, Plug&amp;Play            Dimensions: 146.5 mm x 44 mm x 30 mm  <a href="https://www.brumberg.com/fileadmin/products/Datenblatt_17672000_2021_DE.pdf">https://www.brumberg.com/fileadmin/products/Datenblatt_17672000_2021_DE.pdf</a></p>
<p>Article no.: 17672020            LED converter 350mA, Casambi dimmable            Power: 3,5 - 18,5 W, Plug&amp;Play + Anschlussbox            Dimensions: 146.5 mm x 44 mm x 30 mm  <a href="https://www.brumberg.com/fileadmin/products/Datenblatt_17672020_2021_DE.pdf">https://www.brumberg.com/fileadmin/products/Datenblatt_17672020_2021_DE.pdf</a></p>
Optional accessories
<p>Article no.: 3835            Plug&amp;Play extension cable 350 mA              Dimensions: 500 mm  <a href="https://www.brumberg.com/fileadmin/products/Datenblatt_00003835_2021_DE.pdf">https://www.brumberg.com/fileadmin/products/Datenblatt_00003835_2021_DE.pdf</a></p>
<p>Article no.: 3836            Plug&amp;Play extension cable 350 mA              Dimensions: 1,000 mm  <a href="https://www.brumberg.com/fileadmin/products/Datenblatt_00003836_2021_DE.pdf">https://www.brumberg.com/fileadmin/products/Datenblatt_00003836_2021_DE.pdf</a></p>
<p>Article no.: 3837            Plug&amp;Play extension cable 350 mA              Dimensions: 2,000 mm  <a href="https://www.brumberg.com/fileadmin/products/Datenblatt_00003837_2021_DE.pdf">https://www.brumberg.com/fileadmin/products/Datenblatt_00003837_2021_DE.pdf</a></p>