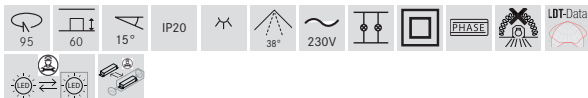
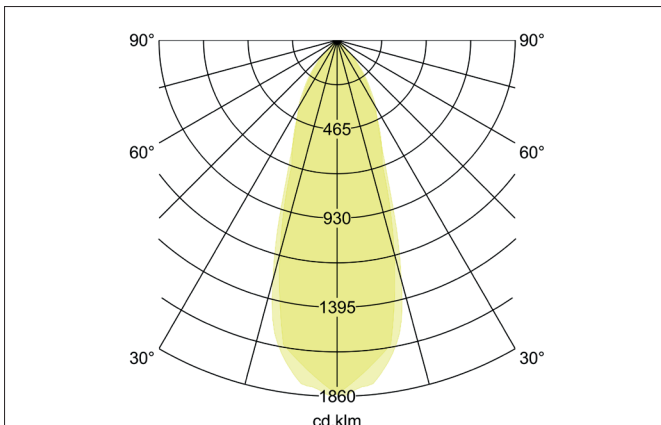
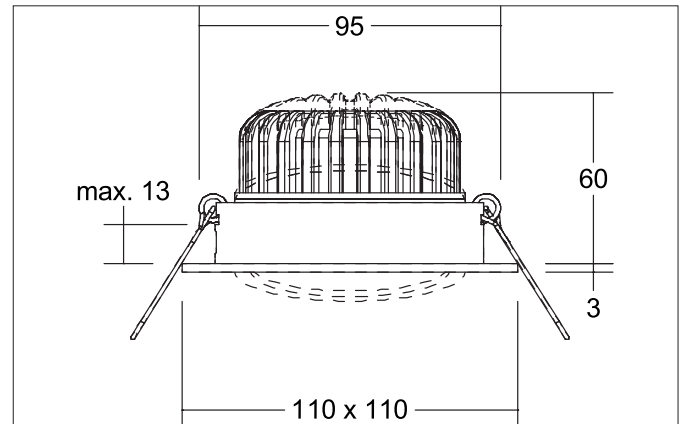



**KERBY-S LED recessed spot set, trailing-edge phase dimmable**

Article no. 39396073


**Tender**

LED recessed spot set, trailing-edge phase dimmable, Square. Toolless ceiling installation by installation springs. Ceiling cut-out  $\varnothing$  95 mm, Installation depth 60 mm, Length 110 mm, Width 110 mm, Weight 0,4 kg, Reflector silver with rotationssymmetrical, deep, wide distributed light intensity. Cover glass transparent Luminous flux 1.230 lm, Power 1 x 12 W, Light colour warm white, Correlated color temperature (CCT) 3.000 K, Colour rendering index CRI > 80, Rated life time L80/B20 at 25 °C: 50.000 h, Housing material: Aluminium / Glass, Colour: white matt, Permissible ambient temperature ( $t_a$ ): -20 °C up to +25 °C, Protection class (EN 61140): II, Degree of protection (DIN EN 60529): IP20. With electronic driver, Trailing-edge phase dimmable.

**Product Benefits**

- Square recessed spotlight made of solid aluminum with a glass cover.
- Easy and tool-free mounting.
- CRI > 80.
- Low installation depth 60 mm, length 110 mm, width 110 mm, Ceiling cut-out 95 mm.
- Ceiling thickness maximum 13 mm.
- Dimmable as a set (trailing-edge phase dimmer).
- Alternatively available as single luminaire for current 350 mA, in version dim2warm and in round design.


**KERBY-S LED recessed spot set, trailing-edge phase dimmable**

Article no. 39396073

| Article data           |   |
|------------------------|---|
| Article no.            | 39396073  |
| GTIN                   | 425 1433947363                                      |
| Series name            | KERBY-S   |
| Short description      | LED recessed spot set, trailing-edge phase dimmable |
| Material               | Aluminium / Glass                                   |
| Colour                 | white matt  |
| Type of surface        | Matt  |
| Shape                  | Square  |
| Length                 | 110 mm  |
| Width                  | 110 mm  |
| Built-in diameter min. | 90 mm   |
| Built-in diameter max. | 95 mm   |
| Installation depth     | 60 mm   |
| Hight                  | 3 mm  |
| Weight                 | 0.4 kg  |
| D licence plate        | No  |
| Conformance            | CE, UKCA  |

| Lighting technology          |           |
|------------------------------|-----------|
| Colour temperature           | 3.000 K   |
| Light colour                 | white     |
| Light output                 | Direct    |
| Luminous flux                | 1,230 lm  |
| System efficiency            | 102 lm/W  |
| Colour rendering             | CRI > 80  |
| Reflector                    | Faceted   |
| Reflector colour             | silver    |
| Beam angle                   | 38°       |
| Light sharing                | Symmetric |
| Adjustable color temperature | No        |

| Operating technology of the luminaire |  |
|---------------------------------------|--|
| Hight                                 | 3 mm   |
| Lamp holder                           | Plug&Play  |
| Power                                 | 12 W   |
| Voltage type                          | DC   |
| Current                               | 350 mA   |
| Lamp                                  | LED  |
| Protection class                      | III  |
| Degree of protection                  | IP20   |
| Energy efficiency class               | not required   |
| Bulb change possible                  | The light source of this luminaire may only be replaced by the manufacturer or a service technician commissioned by him or a similarly qualified person. |


**KERBY-S LED recessed spot set, trailing-edge phase dimmable**

Article no. 39396073

| Operating technology of driver |                     |
|--------------------------------|---------------------|
| Article No. of used driver     | 17643000            |
| Length                         | 110.5 mm            |
| Width                          | 52 mm               |
| Hight                          | 22 mm               |
| AC nominal voltage min         | 198 V               |
| AC nominal voltage max         | 264 V               |
| Frequency max                  | 60 Hz               |
| Dimmable                       | Yes                 |
| Control                        | Trailing-edge phase |
| Starting current               | 2 A, 50 µs          |
| Power min                      | 8.8 W               |
| Power                          | 18 W                |
| Output current                 | 350 mA              |
| Degree of protection           | IP20                |
| Protection class               | II                  |

| Mounting technology         |   |
|-----------------------------|---|
| Mounting method             | Recessed mounting   |
| Place of installation       | Ceiling-mounted   |
| Adjustability               | Pivoted   |
| Swivel angle                | 15°   |
| Max. ceiling thickness      | 13 mm   |
| Further references          | No mounting box No cover with thermal insulation material |
| Material cover              | Glass transparent   |
| Suitable for through-wiring | Yes, with optional accessories                            |

| Packing data            |   |
|-------------------------|---|
| Gross weight            | 0.468 kg  |
| Length of packaging     | 140 mm  |
| Packaging width         | 110 mm  |
| Packaging hight         | 120 mm  |
| Disposal at end of life | This product must not be disposed of with household waste. You are obliged, to dispose of such electrical waste separately.<br>By disposing of electrical waste and other old or defective electronics separately, you support recycling or other forms of re-use. In that way you help to take care and to avoid that harmful substances get into the environment. |

| Optional accessories |   |
|----------------------|---|
| Article no.:         | 83330000  |
| Connection box       | 230 V AC, 3-pole  |
| Dimensions:          | 85 mm x 35 mm x 30 mm   |
|                      | <a href="https://www.brumberg.com/fileadmin/products/Datenblatt_83330000_2021_DE.pdf">https://www.brumberg.com/fileadmin/products/Datenblatt_83330000_2021_DE.pdf</a> |