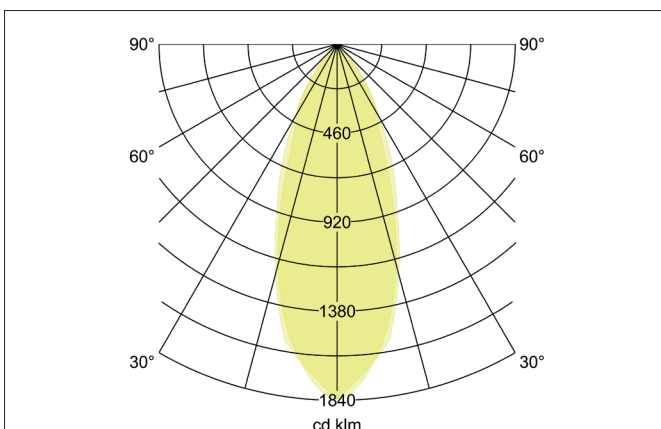
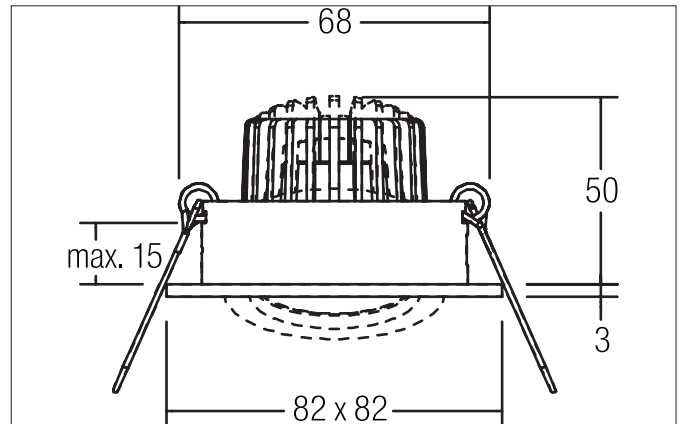


**PAYTON-S LED recessed spot**

Article no. 12376084

**Tender**

LED recessed spot, Square. Toolless ceiling installation by installation springs. Ceiling cut-out Ø 68 mm, Installation depth 50 mm, Length 82 mm, Width 82 mm, Weight 0,15 kg, Reflector silver with rotationssymmetrical, deep, wide distributed light intensity. Cover glass transparent. Luminous flux 340 lm, Power 1 x 3 W, Light colour neutral white, Correlated color temperature (CCT) 4.000 K, Colour rendering index CRI > 80, Housing material: Aluminium / Glass, Colour: black matt, Permissible ambient temperature (ta): -20 °C up to +25 °C, Protection class (EN 61140): III, Degree of protection (DIN EN 60529): IP20. For connection to an external driver, which is not included in the scope of delivery of the luminaire. Depending on driver dimmable.

**Product Benefits**

- Square recessed spotlight made of solid aluminum with a glass cover.
- Easy and tool-free mounting.
- CRI > 80.
- Low installation depth 50 mm, length 82 mm, width 82 mm, Ceiling cut-out 68 mm.
- Ceiling thickness maximum 13 mm.
- Large article variance in terms of housing color and color temperature.
- Power supply with 350 mA.
- Alternatively available in round design.

**PAYTON-S LED recessed spot**

Article no. 12376084

Article data	
Article no.	12376084
GTIN	4251433946748
Series name	PAYTON-S
Short description	LED recessed spot
Material	Aluminium / Glass
Colour	black matt
Type of surface	Matt
Shape	Square
Length	82 mm
Width	82 mm
Built-in diameter min.	67 mm
Built-in diameter max.	68 mm
Installation depth	50 mm
Hight	3 mm
Weight	0.15 kg
D licence plate	No
Conformance	CE, UKCA

Lighting technology	
Colour temperature	4.000 K
Light colour	white
Light output	Direct
Luminous flux	340 lm
System efficiency	113 lm/W
Colour rendering	CRI > 80
Reflector	Faceted
Reflector colour	silver
Beam angle	38°
Light sharing	Symmetric
Adjustable color temperature	No

Operating technology of the luminaire	
Voltage type	DC
Current	350 mA
Lamp	LED
Lamp holder	Plug&Play
Protection class	III
Degree of protection	IP20
Dimmable	Depending on type of control gear
Control	Depending on driver
Bulb change possible	The light source of this luminaire may only be replaced by the manufacturer or a service technician commissioned by him or a similarly qualified person.
Energy efficiency class	not required

Mounting technology	
Mounting method	Recessed mounting
Place of installation	Ceiling-mounted
Adjustability	Pivoted
Swivel angle	20°
Max. ceiling thickness	13 mm
Further references	No cover with thermal insulation material
Material cover	Glass transparent
Circlip	Without circlip
Suitable for through-wiring	Yes, with optional accessories

**PAYTON-S LED recessed spot**

Article no. 12376084

Packing data	
Gross weight	0.223 kg
Length of packaging	100 mm
Packaging width	100 mm
Packaging height	100 mm
Disposal at end of life	<p>This product must not be disposed of with household waste. You are obliged, to dispose of such electrical waste separately.</p> <p>By disposing of electrical waste and other old or defective electronics separately, you support recycling or other forms of re-use. In that way you help to take care and to avoid that harmful substances get into the environment.</p>

**PAYTON-S LED recessed spot**

Article no. 12376084

Required accessories
<p>Article no.: 17665000            LED converter 350 mA, switchable            Power: 1 - 3,2 W, Plug&amp;Play            Dimensions: 52 mm x 30 mm x 23 mm  <a href="https://www.brumberg.com/fileadmin/products/Datenblatt_17665000_2021_DE.pdf">https://www.brumberg.com/fileadmin/products/Datenblatt_17665000_2021_DE.pdf</a></p>
<p>Article no.: 17662000            LED converter 350 mA, on/off switchable            Power: 1 - 7,2 W, Plug&amp;Play            Dimensions: 68 mm x 35 mm x 21 mm  <a href="https://www.brumberg.com/fileadmin/products/Datenblatt_17662000_2021_DE.pdf">https://www.brumberg.com/fileadmin/products/Datenblatt_17662000_2021_DE.pdf</a></p>
<p>Article no.: 17662020            LED converter 350 mA, on/off switchable            Power: 1 - 7,2 W, Plug&amp;Play + Anschlussbox            Dimensions: 35 mm x 21 mm  <a href="https://www.brumberg.com/fileadmin/products/Datenblatt_17662020_2021_DE.pdf">https://www.brumberg.com/fileadmin/products/Datenblatt_17662020_2021_DE.pdf</a></p>
<p>Article no.: 17613000            LED converter 350 mA, on/off switchable            Power: 1 - 15 W, Plug&amp;Play            Dimensions: 115 mm x 34 mm x 19 mm  <a href="https://www.brumberg.com/fileadmin/products/Datenblatt_17613000_2021_DE.pdf">https://www.brumberg.com/fileadmin/products/Datenblatt_17613000_2021_DE.pdf</a></p>
<p>Article no.: 17613020            LED converter 350 mA, on/off switchable            Power: 1 - 15 W, Plug&amp;Play + Anschlussbox            Dimensions: 115 mm x 34 mm x 19 mm  <a href="https://www.brumberg.com/fileadmin/products/Datenblatt_17613020_2021_DE.pdf">https://www.brumberg.com/fileadmin/products/Datenblatt_17613020_2021_DE.pdf</a></p>
<p>Article no.: 17621000            LED converter 350 mA, on/off switchable            Power: 1 - 21 W, Plug&amp;Play            Dimensions: 128 mm x 50 mm x 13 mm  <a href="https://www.brumberg.com/fileadmin/products/Datenblatt_17621000_2021_DE.pdf">https://www.brumberg.com/fileadmin/products/Datenblatt_17621000_2021_DE.pdf</a></p>
<p>Article no.: 17621020            LED converter 350 mA, on/off switchable            Power: 1 - 21 W, Plug&amp;Play + Anschlussbox            Dimensions: 128 mm x 50 mm x 13 mm  <a href="https://www.brumberg.com/fileadmin/products/Datenblatt_17621020_2021_DE.pdf">https://www.brumberg.com/fileadmin/products/Datenblatt_17621020_2021_DE.pdf</a></p>
<p>Article no.: 17663000            LED converter 350 mA, trailing-edge phase dimmable            Power: 2,8 - 7 W, Plug&amp;Play            Dimensions: 110 mm x 50 mm x 19 mm  <a href="https://www.brumberg.com/fileadmin/products/Datenblatt_17663000_2021_DE.pdf">https://www.brumberg.com/fileadmin/products/Datenblatt_17663000_2021_DE.pdf</a></p>
<p>Article no.: 17663020            LED converter 350 mA, trailing-edge phase dimmable            Power: 2,8 - 7 W, Plug&amp;Play + Anschlussbox            Dimensions: 110 mm x 50 mm x 19 mm  <a href="https://www.brumberg.com/fileadmin/products/Datenblatt_17663020_2021_DE.pdf">https://www.brumberg.com/fileadmin/products/Datenblatt_17663020_2021_DE.pdf</a></p>
<p>Article no.: 17648000            LED converter 350 mA, trailing-edge phase dimmable            Power: 0,7 - 17 W, Plug&amp;Play            Dimensions: 166 mm x 46 mm x 34 mm  <a href="https://www.brumberg.com/fileadmin/products/Datenblatt_17648000_2021_DE.pdf">https://www.brumberg.com/fileadmin/products/Datenblatt_17648000_2021_DE.pdf</a></p>

**PAYTON-S LED recessed spot**

Article no. 12376084

Required accessories
<p>Article no.: 17648020            LED converter 350 mA, trailing-edge phase dimmable            Power: 0,7 - 17 W, Plug&amp;Play + Anschlussbox            Dimensions: 166 mm x 46 mm x 34 mm  <a href="https://www.brumberg.com/fileadmin/products/Datenblatt_17648020_2021_DE.pdf">https://www.brumberg.com/fileadmin/products/Datenblatt_17648020_2021_DE.pdf</a></p>
<p>Article no.: 17684000            LED converter 350 mA, DALI dimmable (digital)            Power: 2,8 - 7 W, Plug&amp;Play            Dimensions: 130 mm x 42 mm x 22 mm  <a href="https://www.brumberg.com/fileadmin/products/Datenblatt_17684000_2021_DE.pdf">https://www.brumberg.com/fileadmin/products/Datenblatt_17684000_2021_DE.pdf</a></p>
<p>Article no.: 17684020            LED converter 350 mA, DALI dimmable (digital)            Power: 2,8 - 7 W, Plug&amp;Play + Anschlussbox            Dimensions: 130 mm x 42 mm x 22 mm  <a href="https://www.brumberg.com/fileadmin/products/Datenblatt_17684020_2021_DE.pdf">https://www.brumberg.com/fileadmin/products/Datenblatt_17684020_2021_DE.pdf</a></p>
<p>Article no.: 17658000            LED round converter 350 mA, DALI dimmable (digital)            Power: 2,1 - 9 W, Plug&amp;Play            Dimensions: 56 mm x 25 mm  <a href="https://www.brumberg.com/fileadmin/products/Datenblatt_17658000_2021_DE.pdf">https://www.brumberg.com/fileadmin/products/Datenblatt_17658000_2021_DE.pdf</a></p>
<p>Article no.: 17658020            LED round converter 350 mA, DALI dimmable (digital)            Power: 2,1 - 9 W, Plug&amp;Play + Anschlussbox            Dimensions: 56 mm x 25 mm  <a href="https://www.brumberg.com/fileadmin/products/Datenblatt_17658020_2021_DE.pdf">https://www.brumberg.com/fileadmin/products/Datenblatt_17658020_2021_DE.pdf</a></p>
<p>Article no.: 17682000            LED converter 350 mA, DALI dimmable (digital)            Power: 1,8 - 18,5 W, Plug&amp;Play            Dimensions: 146.5 mm x 43.5 mm x 22 mm  <a href="https://www.brumberg.com/fileadmin/products/Datenblatt_17682000_2021_DE.pdf">https://www.brumberg.com/fileadmin/products/Datenblatt_17682000_2021_DE.pdf</a></p>
<p>Article no.: 17682020            LED converter 350 mA, DALI dimmable (digital)            Power: 1,8 - 18,5 W, Plug&amp;Play + Anschlussbox            Dimensions: 146.5 mm x 43.5 mm x 22 mm  <a href="https://www.brumberg.com/fileadmin/products/Datenblatt_17682020_2021_DE.pdf">https://www.brumberg.com/fileadmin/products/Datenblatt_17682020_2021_DE.pdf</a></p>
Optional accessories
<p>Article no.: 3835            Plug&amp;Play extension cable 350 mA             Dimensions: 500 mm  <a href="https://www.brumberg.com/fileadmin/products/Datenblatt_00003835_2021_DE.pdf">https://www.brumberg.com/fileadmin/products/Datenblatt_00003835_2021_DE.pdf</a></p>
<p>Article no.: 3836            Plug&amp;Play extension cable 350 mA             Dimensions: 1,000 mm  <a href="https://www.brumberg.com/fileadmin/products/Datenblatt_00003836_2021_DE.pdf">https://www.brumberg.com/fileadmin/products/Datenblatt_00003836_2021_DE.pdf</a></p>
<p>Article no.: 3837            Plug&amp;Play extension cable 350 mA             Dimensions: 2,000 mm  <a href="https://www.brumberg.com/fileadmin/products/Datenblatt_00003837_2021_DE.pdf">https://www.brumberg.com/fileadmin/products/Datenblatt_00003837_2021_DE.pdf</a></p>