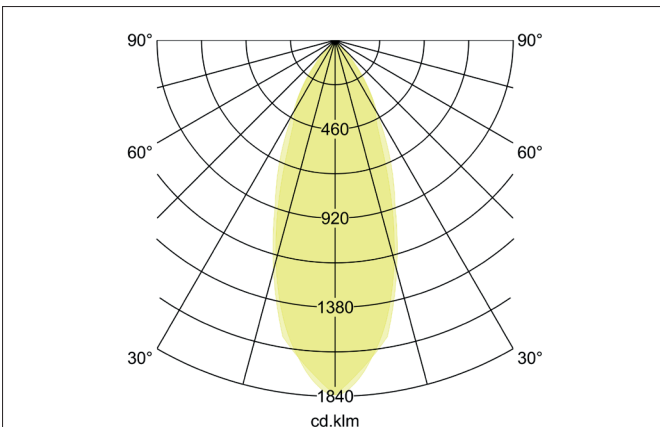
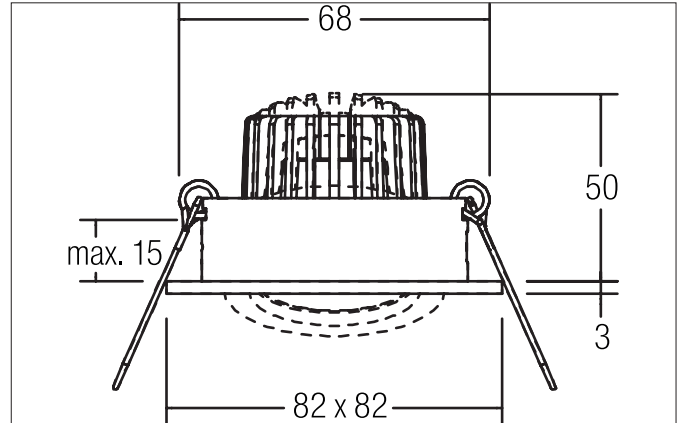




**PAYTON-S LED recessed spot**  
 Article no. 12376074



**Tender**  
 LED recessed spot, Square. Toolless ceiling installation by installation springs. Ceiling cut-out Ø 68 mm, Installation depth 50 mm, Length 82 mm, Width 82 mm, Weight 0,15 kg, Reflector silver with rotationssymmetrical, deep, wide distributed light intensity. Cover glass transparent. Luminous flux 340 lm, Power 1 x 3 W, Light colour neutral white, Correlated color temperature (CCT) 4.000 K, Colour rendering index CRI > 80, Housing material: Aluminium / Glass, Colour: white matt, Permissible ambient temperature (ta): -20 °C up to +25 °C, Protection class (EN 61140): III, Degree of protection (DIN EN 60529): IP20. For connection to an external driver, which is not included in the scope of delivery of the luminaire. Depending on driver dimmable.

**Product Benefits**

- Square recessed spotlight made of solid aluminum with a glass cover.
- Easy and tool-free mounting.
- CRI > 80.
- Low installation depth 50 mm, length 82 mm, width 82 mm, Ceiling cut-out 68 mm.
- Ceiling thickness maximum 13 mm.
- Large article variance in terms of housing color and color temperature.
- Power supply with 350 mA.
- Alternatively available in round design.

**PAYTON-S LED recessed spot**

Article no. 12376074

| Article data           |                   |
|------------------------|-------------------|
| Article no.            | 12376074          |
| GTIN                   | 4251433946731     |
| Series name            | PAYTON-S          |
| Short description      | LED recessed spot |
| Material               | Aluminium / Glass |
| Colour                 | white matt        |
| Type of surface        | Matt              |
| Shape                  | Square            |
| Length                 | 82 mm             |
| Width                  | 82 mm             |
| Built-in diameter min. | 67 mm             |
| Built-in diameter max. | 68 mm             |
| Installation depth     | 50 mm             |
| Hight                  | 3 mm              |
| Weight                 | 0.15 kg           |
| D licence plate        | No                |
| Conformance            | CE, UKCA          |

| Lighting technology          |           |
|------------------------------|-----------|
| Colour temperature           | 4.000 K   |
| Light colour                 | white     |
| Light output                 | Direct    |
| Luminous flux                | 340 lm    |
| System efficiency            | 113 lm/W  |
| Colour rendering             | CRI > 80  |
| Reflector                    | Faceted   |
| Reflector colour             | silver    |
| Beam angle                   | 38°       |
| Light sharing                | Symmetric |
| Adjustable color temperature | No        |

| Operating technology of the luminaire |  |
|---------------------------------------|--|
| Voltage type                          | DC   |
| Current                               | 350 mA   |
| Lamp                                  | LED  |
| Lamp holder                           | Plug&Play  |
| Protection class                      | III  |
| Degree of protection                  | IP20   |
| Dimmable                              | Depending on type of control gear  |
| Control                               | Depending on driver  |
| Bulb change possible                  | The light source of this luminaire may only be replaced by the manufacturer or a service technician commissioned by him or a similarly qualified person. |
| Energy efficiency class               | not required   |

| Mounting technology         |   |
|-----------------------------|---|
| Mounting method             | Recessed mounting                         |
| Place of installation       | Ceiling-mounted                           |
| Adjustability               | Pivoted                                   |
| Swivel angle                | 20°                                       |
| Max. ceiling thickness      | 13 mm                                     |
| Further references          | No cover with thermal insulation material |
| Material cover              | Glass transparent                         |
| Circlip                     | Without circlip                           |
| Suitable for through-wiring | Yes, with optional accessories            |



**PAYTON-S LED recessed spot**

Article no. 12376074

| Packing data            |  |
|-------------------------|--|
| Gross weight            | 0.223 kg   |
| Length of packaging     | 100 mm   |
| Packaging width         | 100 mm   |
| Packaging height        | 100 mm   |
| Disposal at end of life | <p>This product must not be disposed of with household waste. You are obliged, to dispose of such electrical waste separately.</p> <p>By disposing of electrical waste and other old or defective electronics separately, you support recycling or other forms of re-use. In that way you help to take care and to avoid that harmful substances get into the environment.</p> |

**PAYTON-S LED recessed spot**

Article no. 12376074

| Required accessories  |
|---|
| <p>Article no.: 17665000<br/>           LED converter 350 mA, switchable<br/>           Power: 1 - 3,2 W, Plug&amp;Play<br/>           Dimensions: 52 mm x 30 mm x 23 mm<br/> <a href="https://www.brumberg.com/fileadmin/products/Datenblatt_17665000_2021_DE.pdf">https://www.brumberg.com/fileadmin/products/Datenblatt_17665000_2021_DE.pdf</a></p>                                   |
| <p>Article no.: 17662000<br/>           LED converter 350 mA, on/off switchable<br/>           Power: 1 - 7,2 W, Plug&amp;Play<br/>           Dimensions: 68 mm x 35 mm x 21 mm<br/> <a href="https://www.brumberg.com/fileadmin/products/Datenblatt_17662000_2021_DE.pdf">https://www.brumberg.com/fileadmin/products/Datenblatt_17662000_2021_DE.pdf</a></p>                            |
| <p>Article no.: 17662020<br/>           LED converter 350 mA, on/off switchable<br/>           Power: 1 - 7,2 W, Plug&amp;Play + Anschlussbox<br/>           Dimensions: 35 mm x 21 mm<br/> <a href="https://www.brumberg.com/fileadmin/products/Datenblatt_17662020_2021_DE.pdf">https://www.brumberg.com/fileadmin/products/Datenblatt_17662020_2021_DE.pdf</a></p>                     |
| <p>Article no.: 17613000<br/>           LED converter 350 mA, on/off switchable<br/>           Power: 1 - 15 W, Plug&amp;Play<br/>           Dimensions: 115 mm x 34 mm x 19 mm<br/> <a href="https://www.brumberg.com/fileadmin/products/Datenblatt_17613000_2021_DE.pdf">https://www.brumberg.com/fileadmin/products/Datenblatt_17613000_2021_DE.pdf</a></p>                            |
| <p>Article no.: 17613020<br/>           LED converter 350 mA, on/off switchable<br/>           Power: 1 - 15 W, Plug&amp;Play + Anschlussbox<br/>           Dimensions: 115 mm x 34 mm x 19 mm<br/> <a href="https://www.brumberg.com/fileadmin/products/Datenblatt_17613020_2021_DE.pdf">https://www.brumberg.com/fileadmin/products/Datenblatt_17613020_2021_DE.pdf</a></p>             |
| <p>Article no.: 17621000<br/>           LED converter 350 mA, on/off switchable<br/>           Power: 1 - 21 W, Plug&amp;Play<br/>           Dimensions: 128 mm x 50 mm x 13 mm<br/> <a href="https://www.brumberg.com/fileadmin/products/Datenblatt_17621000_2021_DE.pdf">https://www.brumberg.com/fileadmin/products/Datenblatt_17621000_2021_DE.pdf</a></p>                            |
| <p>Article no.: 17621020<br/>           LED converter 350 mA, on/off switchable<br/>           Power: 1 - 21 W, Plug&amp;Play + Anschlussbox<br/>           Dimensions: 128 mm x 50 mm x 13 mm<br/> <a href="https://www.brumberg.com/fileadmin/products/Datenblatt_17621020_2021_DE.pdf">https://www.brumberg.com/fileadmin/products/Datenblatt_17621020_2021_DE.pdf</a></p>             |
| <p>Article no.: 17663000<br/>           LED converter 350 mA, trailing-edge phase dimmable<br/>           Power: 2,8 - 7 W, Plug&amp;Play<br/>           Dimensions: 110 mm x 50 mm x 19 mm<br/> <a href="https://www.brumberg.com/fileadmin/products/Datenblatt_17663000_2021_DE.pdf">https://www.brumberg.com/fileadmin/products/Datenblatt_17663000_2021_DE.pdf</a></p>                |
| <p>Article no.: 17663020<br/>           LED converter 350 mA, trailing-edge phase dimmable<br/>           Power: 2,8 - 7 W, Plug&amp;Play + Anschlussbox<br/>           Dimensions: 110 mm x 50 mm x 19 mm<br/> <a href="https://www.brumberg.com/fileadmin/products/Datenblatt_17663020_2021_DE.pdf">https://www.brumberg.com/fileadmin/products/Datenblatt_17663020_2021_DE.pdf</a></p> |
| <p>Article no.: 17648000<br/>           LED converter 350 mA, trailing-edge phase dimmable<br/>           Power: 0,7 - 17 W, Plug&amp;Play<br/>           Dimensions: 166 mm x 46 mm x 34 mm<br/> <a href="https://www.brumberg.com/fileadmin/products/Datenblatt_17648000_2021_DE.pdf">https://www.brumberg.com/fileadmin/products/Datenblatt_17648000_2021_DE.pdf</a></p>               |

**PAYTON-S LED recessed spot**

Article no. 12376074

| Required accessories  |
|---|
| <p>Article no.: 17648020<br/>           LED converter 350 mA, trailing-edge phase dimmable<br/>           Power: 0,7 - 17 W, Plug&amp;Play + Anschlussbox<br/>           Dimensions: 166 mm x 46 mm x 34 mm<br/> <a href="https://www.brumberg.com/fileadmin/products/Datenblatt_17648020_2021_DE.pdf">https://www.brumberg.com/fileadmin/products/Datenblatt_17648020_2021_DE.pdf</a></p>  |
| <p>Article no.: 17684000<br/>           LED converter 350 mA, DALI dimmable (digital)<br/>           Power: 2,8 - 7 W, Plug&amp;Play<br/>           Dimensions: 130 mm x 42 mm x 22 mm<br/> <a href="https://www.brumberg.com/fileadmin/products/Datenblatt_17684000_2021_DE.pdf">https://www.brumberg.com/fileadmin/products/Datenblatt_17684000_2021_DE.pdf</a></p>                       |
| <p>Article no.: 17684020<br/>           LED converter 350 mA, DALI dimmable (digital)<br/>           Power: 2,8 - 7 W, Plug&amp;Play + Anschlussbox<br/>           Dimensions: 130 mm x 42 mm x 22 mm<br/> <a href="https://www.brumberg.com/fileadmin/products/Datenblatt_17684020_2021_DE.pdf">https://www.brumberg.com/fileadmin/products/Datenblatt_17684020_2021_DE.pdf</a></p>        |
| <p>Article no.: 17658000<br/>           LED round converter 350 mA, DALI dimmable (digital)<br/>           Power: 2,1 - 9 W, Plug&amp;Play<br/>           Dimensions: 56 mm x 25 mm<br/> <a href="https://www.brumberg.com/fileadmin/products/Datenblatt_17658000_2021_DE.pdf">https://www.brumberg.com/fileadmin/products/Datenblatt_17658000_2021_DE.pdf</a></p>                          |
| <p>Article no.: 17658020<br/>           LED round converter 350 mA, DALI dimmable (digital)<br/>           Power: 2,1 - 9 W, Plug&amp;Play + Anschlussbox<br/>           Dimensions: 56 mm x 25 mm<br/> <a href="https://www.brumberg.com/fileadmin/products/Datenblatt_17658020_2021_DE.pdf">https://www.brumberg.com/fileadmin/products/Datenblatt_17658020_2021_DE.pdf</a></p>           |
| <p>Article no.: 17682000<br/>           LED converter 350 mA, DALI dimmable (digital)<br/>           Power: 1,8 - 18,5 W, Plug&amp;Play<br/>           Dimensions: 146.5 mm x 43.5 mm x 22 mm<br/> <a href="https://www.brumberg.com/fileadmin/products/Datenblatt_17682000_2021_DE.pdf">https://www.brumberg.com/fileadmin/products/Datenblatt_17682000_2021_DE.pdf</a></p>                |
| <p>Article no.: 17682020<br/>           LED converter 350 mA, DALI dimmable (digital)<br/>           Power: 1,8 - 18,5 W, Plug&amp;Play + Anschlussbox<br/>           Dimensions: 146.5 mm x 43.5 mm x 22 mm<br/> <a href="https://www.brumberg.com/fileadmin/products/Datenblatt_17682020_2021_DE.pdf">https://www.brumberg.com/fileadmin/products/Datenblatt_17682020_2021_DE.pdf</a></p> |
| Optional accessories  |
| <p>Article no.: 3835<br/>           Plug&amp;Play extension cable 350 mA<br/> <br/>           Dimensions: 500 mm<br/> <a href="https://www.brumberg.com/fileadmin/products/Datenblatt_00003835_2021_DE.pdf">https://www.brumberg.com/fileadmin/products/Datenblatt_00003835_2021_DE.pdf</a></p>   |
| <p>Article no.: 3836<br/>           Plug&amp;Play extension cable 350 mA<br/> <br/>           Dimensions: 1,000 mm<br/> <a href="https://www.brumberg.com/fileadmin/products/Datenblatt_00003836_2021_DE.pdf">https://www.brumberg.com/fileadmin/products/Datenblatt_00003836_2021_DE.pdf</a></p>   |
| <p>Article no.: 3837<br/>           Plug&amp;Play extension cable 350 mA<br/> <br/>           Dimensions: 2,000 mm<br/> <a href="https://www.brumberg.com/fileadmin/products/Datenblatt_00003837_2021_DE.pdf">https://www.brumberg.com/fileadmin/products/Datenblatt_00003837_2021_DE.pdf</a></p>   |