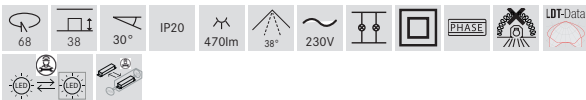
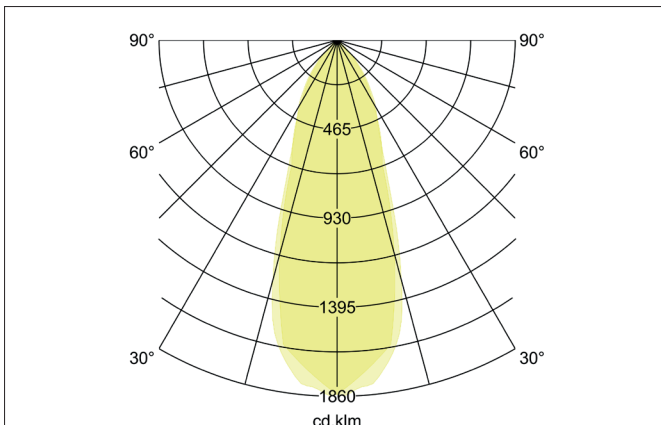
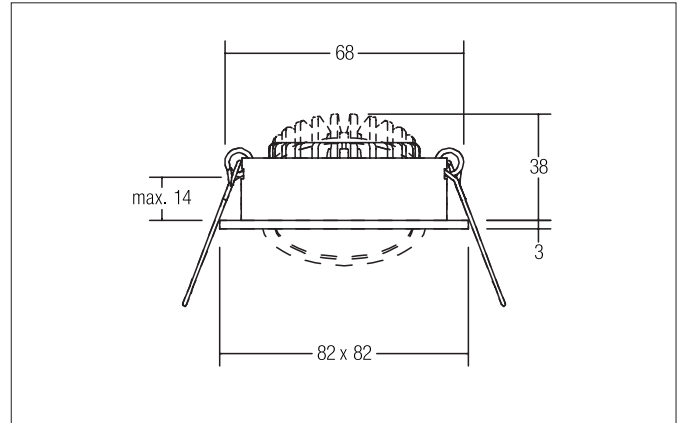
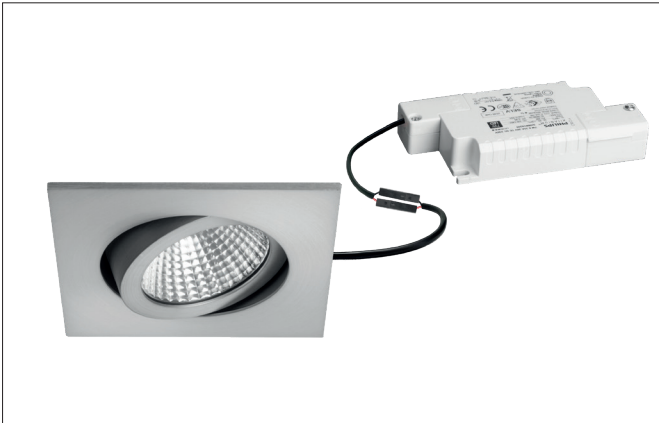



LAKIL-S LED recessed spot set, dim2warm, trailing-edge phase dimmable

Article no. 39462253


Tender

LED recessed spot set, dim2warm, trailing-edge phase dimmable, Square. Toolless ceiling installation by installation springs. Ceiling cut-out Ø 68 mm, Installation depth 38 mm, Length 82 mm, Width 82 mm, Weight 0,21 kg, Reflector silver with rotationssymmetrical, deep, wide distributed light intensity. Cover plastic, transparent. Luminous flux 28 - 470 lm, Power 1 x 6 W, Light colour warm white to warm white, Correlated color temperature (CCT) 3.000 K - 1.800 K, Colour rendering index CRI > 90, Rated life time L80/B20 at 25 °C: 50.000 h, Housing material: Aluminium / Polycarbonate, Colour: aluminum matt, Permissible ambient temperature (ta): -20 °C up to +25 °C, Protection class (EN 61140): II, Degree of protection (DIN EN 60529): IP20. With electronic driver, Trailing-edge phase dimmable.

Product Benefits

- Square recessed spotlight made of solid aluminum with polycarbonate cover.
- Easy and tool-free mounting.
- CRI > 80.
- Low mounting depth 38 mm, length 82 mm, width 82 mm, Ceiling cut-out 68 mm.
- Ceiling thickness maximum 14 mm.
- Version dim2warm (when the luminaire is dimmed, the color temperature is reduced from 3,000 K to a minimum of 1,800 K).
- Dimmable (trailing-edge phase dimmer) set.
- Also available as single luminaire for current supply with 350 mA.
- Alternatively available in round design.


LAKIL-S LED recessed spot set, dim2warm, trailing-edge phase dimmable

Article no. 39462253

| Article data | |
|------------------------|---|
| Article no. | 39462253 |
| GTIN | 4251433919551 |
| Series name | LAKIL-S |
| Short description | LED recessed spot set, dim2warm, trailing-edge phase dimmable |
| Material | Aluminium / Polycarbonate |
| Colour | aluminum matt |
| Type of surface | Matt |
| Shape | Square |
| Length | 82 mm |
| Width | 82 mm |
| Built-in diameter min. | 68 mm |
| Built-in diameter max. | 68 mm |
| Installation depth | 38 mm |
| Hight | 3 mm |
| Weight | 0.21 kg |
| D licence plate | No |
| Conformance | CE, UKCA |

| Lighting technology | |
|------------------------------|-------------------|
| Colour temperature | 3.000 K - 1.800 K |
| Light colour | white |
| Color Temperature 1 | 3,000 K |
| Color Temperature 2 | 1,800 K |
| Light output | Direct |
| Luminous flux | 28 - 470 lm |
| Luminous flux 1 | 470 lm |
| Luminous flux 2 | 28 lm |
| System efficiency | 78 lm/W |
| Colour rendering | CRI > 90 |
| Reflector | Faceted |
| Reflector colour | silver |
| Beam angle | 38° |
| Light sharing | Symmetric |
| Adjustable color temperature | Infinite control |

| Operating technology of the luminaire | |
|---------------------------------------|--|
| Hight | 3 mm |
| Lamp holder | Plug&Play |
| Power | 6 W |
| Voltage type | DC |
| Current | 350 mA |
| Lamp | LED |
| Protection class | III |
| Degree of protection | IP20 |
| Energy efficiency class | G |
| Bulb change possible | The light source of this luminaire may only be replaced by the manufacturer or a service technician commissioned by him or a similarly qualified person. |


LAKIL-S LED recessed spot set, dim2warm, trailing-edge phase dimmable

Article no. 39462253

| Operating technology of driver | |
|--------------------------------|---------------------|
| Article No. of used driver | 17663000 |
| Length | 110 mm |
| Width | 50 mm |
| Hight | 19 mm |
| AC nominal voltage min | 198 V |
| AC nominal voltage max | 264 V |
| Frequency max | 60 Hz |
| Dimmable | Yes |
| Control | Trailing-edge phase |
| Starting current | 1 A, 15,2 µs |
| Power min | 2.8 W |
| Power | 7 W |
| Output current | 350 mA |
| Degree of protection | IP20 |
| Protection class | II |
| Flicker-free | Yes |

| Mounting technology | |
|-----------------------------|---|
| Mounting method | Recessed mounting |
| Place of installation | Ceiling-mounted |
| Adjustability | Pivoted |
| Swivel angle | 30° |
| Max. ceiling thickness | 14 mm |
| Further references | No cover with thermal insulation material |
| Material cover | Plastic, transparent |
| Suitable for through-wiring | Yes, with optional accessories |

| Packing data | |
|-------------------------|---|
| Gross weight | 0.269 kg |
| Length of packaging | 95 mm |
| Packaging width | 75 mm |
| Packaging hight | 95 mm |
| Disposal at end of life | This product must not be disposed of with household waste. You are obliged, to dispose of such electrical waste separately. By disposing of electrical waste and other old or defective electronics separately, you support recycling or other forms of re-use. In that way you help to take care and to avoid that harmful substances get into the environment. |

| Optional accessories | |
|----------------------|---|
| Article no.: | 83330000 |
| Connection box | 230 V AC, 3-pole |
| Dimensions: | 85 mm x 35 mm x 30 mm |
| | https://www.brumberg.com/fileadmin/products/Datenblatt_83330000_2021_DE.pdf |