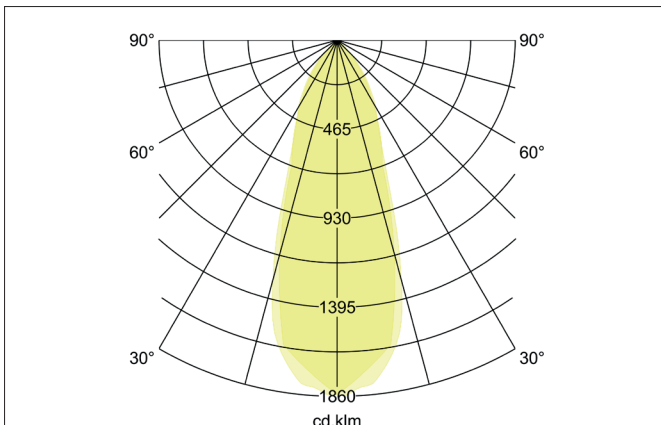
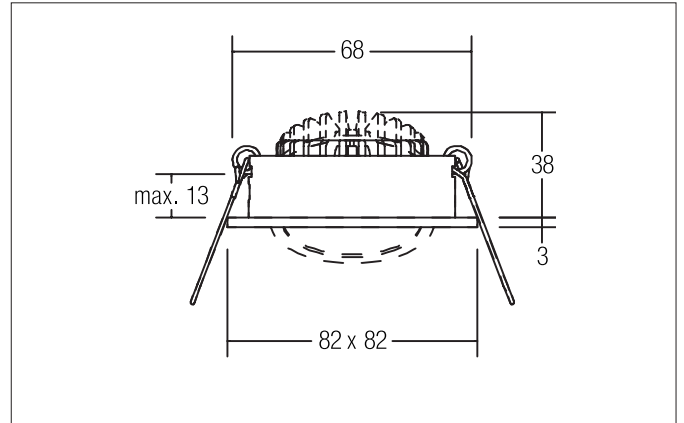


**SEVEN-S LED recessed spot**

Article no. 12262073

**Tender**

LED recessed spot, Square. Toolless ceiling installation by installation springs. Ceiling cut-out Ø 68 mm, Installation depth 38 mm, Length 82 mm, Width 82 mm, Weight 0,119 kg, Reflector silver with rotationssymmetrical, deep, wide distributed light intensity. Cover plastic, transparent. Luminous flux 740 lm, Power 1 x 7 W, Light colour warm white, Correlated color temperature (CCT) 2.700 K, Colour rendering index CRI > 80, Rated life time L70/B50 at 25 °C: 50.000 h, Housing material: Aluminium / Polycarbonate, Colour: white matt, Permissible ambient temperature (ta): -20 °C up to +25 °C, Protection class (EN 61140): III, Degree of protection (DIN EN 60529): IP20. For connection to an external driver, which is not included in the scope of delivery of the luminaire. Depending on driver dimmable.

**Product Benefits**

- Square recessed spotlight made of solid aluminum with polycarbonate cover.
- Easy and tool-free mounting.
- CRI > 80.
- Low mounting depth 38 mm, length 82 mm, width 82 mm, Ceiling cut-out 68 mm.
- Ceiling thickness maximum 13 mm.
- Large article variance in terms of housing color and color temperature.
- Power supply with 350 mA.
- Also available as switchable or dimmable (trailing-edge phase dimmer) set.
- Alternatively available in round design.

**SEVEN-S LED recessed spot**

Article no. 12262073

Article data	
Article no.	12262073
GTIN	4250047785316
Series name	SEVEN-S
Short description	LED recessed spot
Material	Aluminium / Polycarbonate
Colour	white matt
Type of surface	Matt
Shape	Square
Length	82 mm
Width	82 mm
Built-in diameter min.	68 mm
Built-in diameter max.	68 mm
Installation depth	38 mm
Hight	3 mm
Weight	0.119 kg
D licence plate	No
Conformance	CE, UKCA

Lighting technology	
Colour temperature	2.700 K
Light colour	white
Light output	Direct
Luminous flux	740 lm
System efficiency	106 lm/W
Colour rendering	CRI > 80
Reflector	Faceted
Reflector colour	silver
Beam angle	38°
Light sharing	Symmetric
Adjustable color temperature	No

Operating technology of the luminaire	
Voltage type	DC
Current	350 mA
Lamp	LED
Lamp holder	Plug&Play
Protection class	III
Degree of protection	IP20
Dimmable	Depending on type of control gear
Control	Depending on driver
Bulb change possible	The light source of this luminaire may only be replaced by the manufacturer or a service technician commissioned by him or a similarly qualified person.
Rated life time L70/B50 at 25 °C	50,000 h
Energy efficiency class	not required

Mounting technology	
Mounting method	Recessed mounting
Place of installation	Ceiling-mounted
Adjustability	Pivoted
Swivel angle	30°
Max. ceiling thickness	13 mm
Further references	No cover with thermal insulation material
Material cover	Plastic, transparent
Suitable for through-wiring	Yes, with optional accessories

**SEVEN-S LED recessed spot**

Article no. 12262073

Packing data	
Gross weight	0.142 kg
Length of packaging	100 mm
Packaging width	43 mm
Packaging height	100 mm
Disposal at end of life	<p>This product must not be disposed of with household waste. You are obliged, to dispose of such electrical waste separately.</p> <p>By disposing of electrical waste and other old or defective electronics separately, you support recycling or other forms of re-use. In that way you help to take care and to avoid that harmful substances get into the environment.</p>

**SEVEN-S LED recessed spot**

Article no. 12262073

Required accessories
<p>Article no.: 17662000            LED converter 350 mA, on/off switchable            Power: 1 - 7,2 W, Plug&amp;Play            Dimensions: 68 mm x 35 mm x 21 mm  <a href="https://www.brumberg.com/fileadmin/products/Datenblatt_17662000_2021_DE.pdf">https://www.brumberg.com/fileadmin/products/Datenblatt_17662000_2021_DE.pdf</a></p>
<p>Article no.: 17662020            LED converter 350 mA, on/off switchable            Power: 1 - 7,2 W, Plug&amp;Play + Anschlussbox            Dimensions: 35 mm x 21 mm  <a href="https://www.brumberg.com/fileadmin/products/Datenblatt_17662020_2021_DE.pdf">https://www.brumberg.com/fileadmin/products/Datenblatt_17662020_2021_DE.pdf</a></p>
<p>Article no.: 17663000            LED converter 350 mA, trailing-edge phase dimmable            Power: 2,8 - 7 W, Plug&amp;Play            Dimensions: 110 mm x 50 mm x 19 mm  <a href="https://www.brumberg.com/fileadmin/products/Datenblatt_17663000_2021_DE.pdf">https://www.brumberg.com/fileadmin/products/Datenblatt_17663000_2021_DE.pdf</a></p>
<p>Article no.: 17663020            LED converter 350 mA, trailing-edge phase dimmable            Power: 2,8 - 7 W, Plug&amp;Play + Anschlussbox            Dimensions: 110 mm x 50 mm x 19 mm  <a href="https://www.brumberg.com/fileadmin/products/Datenblatt_17663020_2021_DE.pdf">https://www.brumberg.com/fileadmin/products/Datenblatt_17663020_2021_DE.pdf</a></p>
<p>Article no.: 17613000            LED converter 350 mA, on/off switchable            Power: 1 - 15 W, Plug&amp;Play            Dimensions: 115 mm x 34 mm x 19 mm  <a href="https://www.brumberg.com/fileadmin/products/Datenblatt_17613000_2021_DE.pdf">https://www.brumberg.com/fileadmin/products/Datenblatt_17613000_2021_DE.pdf</a></p>
<p>Article no.: 17613020            LED converter 350 mA, on/off switchable            Power: 1 - 15 W, Plug&amp;Play + Anschlussbox            Dimensions: 115 mm x 34 mm x 19 mm  <a href="https://www.brumberg.com/fileadmin/products/Datenblatt_17613020_2021_DE.pdf">https://www.brumberg.com/fileadmin/products/Datenblatt_17613020_2021_DE.pdf</a></p>
<p>Article no.: 17621000            LED converter 350 mA, on/off switchable            Power: 1 - 21 W, Plug&amp;Play            Dimensions: 128 mm x 50 mm x 13 mm  <a href="https://www.brumberg.com/fileadmin/products/Datenblatt_17621000_2021_DE.pdf">https://www.brumberg.com/fileadmin/products/Datenblatt_17621000_2021_DE.pdf</a></p>
<p>Article no.: 17621020            LED converter 350 mA, on/off switchable            Power: 1 - 21 W, Plug&amp;Play + Anschlussbox            Dimensions: 128 mm x 50 mm x 13 mm  <a href="https://www.brumberg.com/fileadmin/products/Datenblatt_17621020_2021_DE.pdf">https://www.brumberg.com/fileadmin/products/Datenblatt_17621020_2021_DE.pdf</a></p>
<p>Article no.: 17652000            LED-round converter 350 mA, trailing-edge phase dimmer            Power: 4,9 - 7 W, Plug&amp;Play            Dimensions: 51 mm x 24 mm  <a href="https://www.brumberg.com/fileadmin/products/Datenblatt_17652000_2021_DE.pdf">https://www.brumberg.com/fileadmin/products/Datenblatt_17652000_2021_DE.pdf</a></p>
<p>Article no.: 17652020            LED-round converter 350 mA, trailing-edge phase dimmer            Power: 4,9 - 7 W, Plug&amp;Play + Anschlussbox            Dimensions: 51 mm x 24 mm  <a href="https://www.brumberg.com/fileadmin/products/Datenblatt_17652020_2021_DE.pdf">https://www.brumberg.com/fileadmin/products/Datenblatt_17652020_2021_DE.pdf</a></p>

**SEVEN-S LED recessed spot**

Article no. 12262073

Required accessories
<p>Article no.: 17640000            LED converter 350 mA, trailing-edge phase dimmable            Power: 4,2 - 10 W, Plug&amp;Play            Dimensions: 102 mm x 38 mm x 21 mm  <a href="https://www.brumberg.com/fileadmin/products/Datenblatt_17640000_2021_DE.pdf">https://www.brumberg.com/fileadmin/products/Datenblatt_17640000_2021_DE.pdf</a></p>
<p>Article no.: 17640020            LED converter 350 mA, trailing-edge phase dimmable            Power: 4,2 - 10 W, Plug&amp;Play + Anschlussbox            Dimensions: 102 mm x 38 mm x 21 mm  <a href="https://www.brumberg.com/fileadmin/products/Datenblatt_17640020_2021_DE.pdf">https://www.brumberg.com/fileadmin/products/Datenblatt_17640020_2021_DE.pdf</a></p>
<p>Article no.: 17648000            LED converter 350 mA, trailing-edge phase dimmable            Power: 0,7 - 17 W, Plug&amp;Play            Dimensions: 166 mm x 46 mm x 34 mm  <a href="https://www.brumberg.com/fileadmin/products/Datenblatt_17648000_2021_DE.pdf">https://www.brumberg.com/fileadmin/products/Datenblatt_17648000_2021_DE.pdf</a></p>
<p>Article no.: 17648020            LED converter 350 mA, trailing-edge phase dimmable            Power: 0,7 - 17 W, Plug&amp;Play + Anschlussbox            Dimensions: 166 mm x 46 mm x 34 mm  <a href="https://www.brumberg.com/fileadmin/products/Datenblatt_17648020_2021_DE.pdf">https://www.brumberg.com/fileadmin/products/Datenblatt_17648020_2021_DE.pdf</a></p>
<p>Article no.: 17657000            LED converter 350 mA, 1-10 V dimmable (analog)            Power: 5,2 - 18 W, Plug&amp;Play            Dimensions: 110 mm x 52 mm x 22 mm  <a href="https://www.brumberg.com/fileadmin/products/Datenblatt_17657000_2021_DE.pdf">https://www.brumberg.com/fileadmin/products/Datenblatt_17657000_2021_DE.pdf</a></p>
<p>Article no.: 17682000            LED converter 350 mA, DALI dimmable (digital)            Power: 1,8 - 18,5 W, Plug&amp;Play            Dimensions: 146.5 mm x 43.5 mm x 22 mm  <a href="https://www.brumberg.com/fileadmin/products/Datenblatt_17682000_2021_DE.pdf">https://www.brumberg.com/fileadmin/products/Datenblatt_17682000_2021_DE.pdf</a></p>
<p>Article no.: 17682020            LED converter 350 mA, DALI dimmable (digital)            Power: 1,8 - 18,5 W, Plug&amp;Play + Anschlussbox            Dimensions: 146.5 mm x 43.5 mm x 22 mm  <a href="https://www.brumberg.com/fileadmin/products/Datenblatt_17682020_2021_DE.pdf">https://www.brumberg.com/fileadmin/products/Datenblatt_17682020_2021_DE.pdf</a></p>
<p>Article no.: 17683000            LED converter 350 mA, DALI dimmable (digital)            Power: 3,5 - 17 W, Plug&amp;Play            Dimensions: 110.5 mm x 52 mm x 22 mm  <a href="https://www.brumberg.com/fileadmin/products/Datenblatt_17683000_2021_DE.pdf">https://www.brumberg.com/fileadmin/products/Datenblatt_17683000_2021_DE.pdf</a></p>
<p>Article no.: 17683020            LED converter 350 mA, DALI dimmable (digital)            Power: 3,5 - 17 W, Plug&amp;Play + Anschlussbox            Dimensions: 110.5 mm x 52 mm x 22 mm  <a href="https://www.brumberg.com/fileadmin/products/Datenblatt_17683020_2021_DE.pdf">https://www.brumberg.com/fileadmin/products/Datenblatt_17683020_2021_DE.pdf</a></p>
<p>Article no.: 17684000            LED converter 350 mA, DALI dimmable (digital)            Power: 2,8 - 7 W, Plug&amp;Play            Dimensions: 130 mm x 42 mm x 22 mm  <a href="https://www.brumberg.com/fileadmin/products/Datenblatt_17684000_2021_DE.pdf">https://www.brumberg.com/fileadmin/products/Datenblatt_17684000_2021_DE.pdf</a></p>

**SEVEN-S LED recessed spot**

Article no. 12262073

**Required accessories**

Article no.: 17684020

LED converter 350 mA, DALI dimmable (digital)

Power: 2,8 - 7 W, Plug&amp;Play + Anschlussbox

Dimensions: 130 mm x 42 mm x 22 mm

[https://www.brumberg.com/fileadmin/products/Datenblatt\\_17684020\\_2021\\_DE.pdf](https://www.brumberg.com/fileadmin/products/Datenblatt_17684020_2021_DE.pdf)

Article no.: 17658000

LED round converter 350 mA, DALI dimmable (digital)

Power: 2,1 - 9 W, Plug&amp;Play

Dimensions: 56 mm x 25 mm

[https://www.brumberg.com/fileadmin/products/Datenblatt\\_17658000\\_2021\\_DE.pdf](https://www.brumberg.com/fileadmin/products/Datenblatt_17658000_2021_DE.pdf)

Article no.: 17658020

LED round converter 350 mA, DALI dimmable (digital)

Power: 2,1 - 9 W, Plug&amp;Play + Anschlussbox

Dimensions: 56 mm x 25 mm

[https://www.brumberg.com/fileadmin/products/Datenblatt\\_17658020\\_2021\\_DE.pdf](https://www.brumberg.com/fileadmin/products/Datenblatt_17658020_2021_DE.pdf)

Article no.: 17671000

LED converter 350mA, ZigBee dimmable

Power: 3,5 - 18,5 W, Plug&amp;Play

Dimensions: 146.5 mm x 44 mm x 30 mm

[https://www.brumberg.com/fileadmin/products/Datenblatt\\_17671000\\_2021\\_DE.pdf](https://www.brumberg.com/fileadmin/products/Datenblatt_17671000_2021_DE.pdf)

Article no.: 17671020

LED converter 350mA, ZigBee dimmable

Power: 3,5 - 18,5 W, Plug&amp;Play + Anschlussbox

Dimensions: 146.5 mm x 44 mm x 30 mm

[https://www.brumberg.com/fileadmin/products/Datenblatt\\_17671020\\_2021\\_DE.pdf](https://www.brumberg.com/fileadmin/products/Datenblatt_17671020_2021_DE.pdf)

Article no.: 17672000

LED converter 350mA, Casambi dimmable

Power: 3,5 - 18,5 W, Plug&amp;Play

Dimensions: 146.5 mm x 44 mm x 30 mm

[https://www.brumberg.com/fileadmin/products/Datenblatt\\_17672000\\_2021\\_DE.pdf](https://www.brumberg.com/fileadmin/products/Datenblatt_17672000_2021_DE.pdf)

Article no.: 17672020

LED converter 350mA, Casambi dimmable

Power: 3,5 - 18,5 W, Plug&amp;Play + Anschlussbox

Dimensions: 146.5 mm x 44 mm x 30 mm

[https://www.brumberg.com/fileadmin/products/Datenblatt\\_17672020\\_2021\\_DE.pdf](https://www.brumberg.com/fileadmin/products/Datenblatt_17672020_2021_DE.pdf)**Optional accessories**

Article no.: 3835

Plug&amp;Play extension cable 350 mA

Dimensions: 500 mm

[https://www.brumberg.com/fileadmin/products/Datenblatt\\_00003835\\_2021\\_DE.pdf](https://www.brumberg.com/fileadmin/products/Datenblatt_00003835_2021_DE.pdf)

Article no.: 3836

Plug&amp;Play extension cable 350 mA

Dimensions: 1,000 mm

[https://www.brumberg.com/fileadmin/products/Datenblatt\\_00003836\\_2021\\_DE.pdf](https://www.brumberg.com/fileadmin/products/Datenblatt_00003836_2021_DE.pdf)

Article no.: 3837

Plug&amp;Play extension cable 350 mA

Dimensions: 2,000 mm

[https://www.brumberg.com/fileadmin/products/Datenblatt\\_00003837\\_2021\\_DE.pdf](https://www.brumberg.com/fileadmin/products/Datenblatt_00003837_2021_DE.pdf)