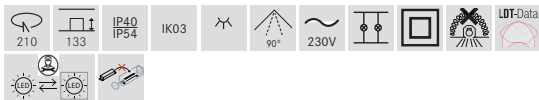
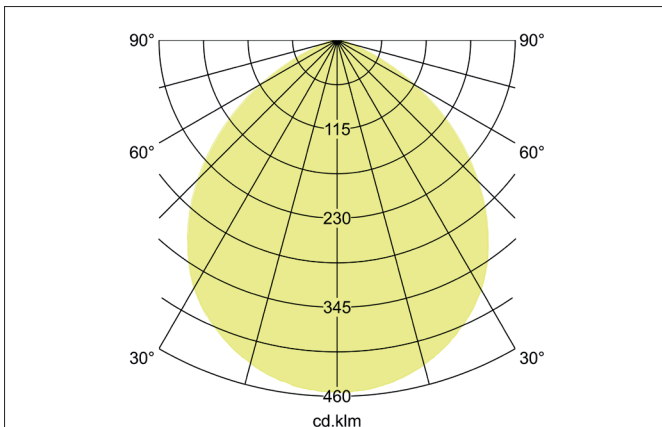
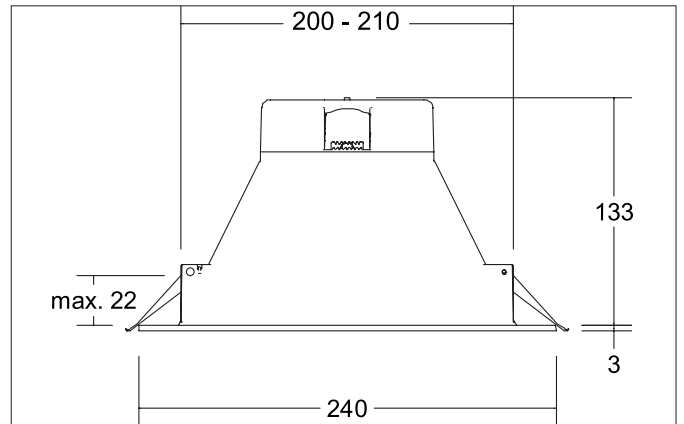




**ZULO MAXI LED recessed downlight, IP54**  
 Article no. 32029073



**Tender**  
 LED recessed downlight, IP54, Round. Ceiling cut-out Ø 210 mm, Installation depth 133 mm, Outer diameter 240 mm, Weight 0,546 kg, with rotationssymmetrical, deep, wide distributed light intensity. Cover polycarbonat opal Luminous flux 1.880 - 2.280 lm, Power 1 x 20 W, Light colour warm white to daylight white, Correlated color temprature (CCT) 3.000 - 5.700 K, Colour rendering index CRI > 80, Rated life time L70/B50 at 25 °C: 54.000 h, Housing material: Plastic, Colour: white matt, Permissible ambient temperature (ta): -20 °C up to +25 °C, Protection class (EN 61140): II, Degree of protection (DIN EN 60529): IP54, shock resistance according to IEC62262: IK03 .With electronic driver, on/off switchable.

**Product Benefits**

- Round recessed downlight made of plastic with opal plastic cover.
- Simple and toolless mounting due to the use of a plug-in terminal, which is also suitable for through-wiring.
- CRI > 80.
- Low installation depth of 133 mm, diameter of 240 mm, Ceiling cut-out 200 mm.
- Protection class IP54 on the room side.
- Usable up to a maximum ceiling thickness of 22 mm.


**ZULO MAXI LED recessed downlight, IP54**

Article no. 32029073

Article data	
Article no.	32029073
GTIN	425 1433926030
Series name	ZULO MAXI
Short description	LED recessed downlight, IP54
Material	Plastic
Colour	white matt
Type of surface	Matt
Shape	Round
Outer diameter	240 mm
Built-in diameter min.	200 mm
Built-in diameter max.	210 mm
Installation depth	133 mm
Height	3 mm
Scope of delivery	incl. converter for connection to 230 V mains voltage, on/off switchable
Weight	0.546 kg
D licence plate	No
Conformance	CE, UKCA

Lighting technology	
Colour temperature	3.000 K / 4.000 K / 5.700 K
Color Temperature 1	3,000 K
Color Temperature 2	4,000 K
Color Temperature 3	5,700 K
Light output	Direct
Luminous flux	1,880 - 2,280 lm
Luminous flux 1	1,880 lm
Luminous flux 2	2,280 lm
Luminous flux 3	2,100 lm
System efficiency	114 lm/W
Colour rendering	CRI > 80
Reflector	Without
Beam angle	90°
Light sharing	Symmetric
Adjustable color temperature	Stages

Operating technology of the luminaire	
System output	20 W
Voltage type	AC
AC nominal voltage max	230 V
Frequency max	50 Hz
Lamp	LED
Protection class	II
Protection class on the ceiling side	IP40
Degree of protection	IP54
Dimmable	No
Control	on/off
Bulb change possible	The light source of this luminaire may only be replaced by the manufacturer or a service technician commissioned by him or a similarly qualified person.
Rated life time L70/B50 at 25 °C	54,000 h
Energy efficiency class	not required


**ZULO MAXI LED recessed downlight, IP54**

Article no. 32029073

Mounting technology	
Mounting method	Recessed mounting
Place of installation	Ceiling-mounted
Adjustability	Not adjustable
Max. ceiling thickness	22 mm
Impact resistance	IK03
Further references	No cover with thermal insulation material
Material cover	Polycarbonat opal
Suitable for through-wiring	Yes

Packing data	
Gross weight	0.753 kg
Length of packaging	250 mm
Packaging width	250 mm
Packaging height	150 mm
Disposal at end of life	<p>This product must not be disposed of with household waste. You are obliged, to dispose of such electrical waste separately.</p> <p>By disposing of electrical waste and other old or defective electronics separately, you support recycling or other forms of re-use. In that way you help to take care and to avoid that harmful substances get into the environment.</p>