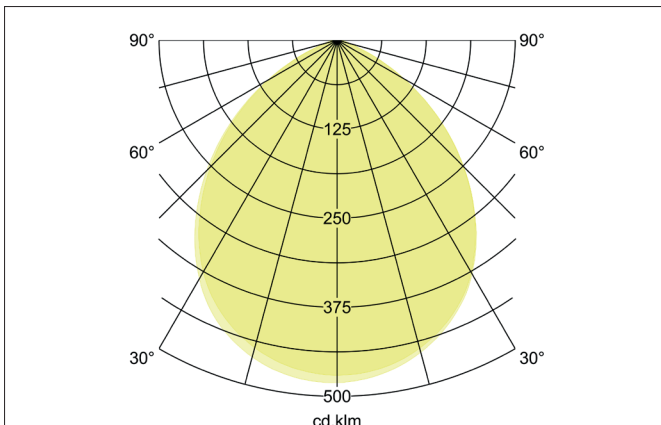
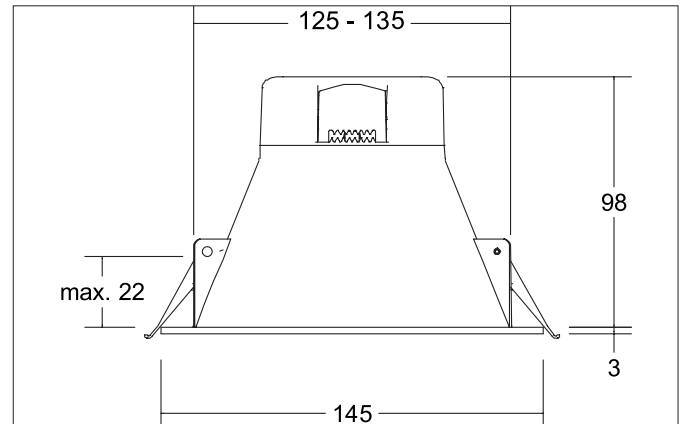



ZULO MINI LED recessed downlight, IP54

Article no. 32027073


Tender

LED recessed downlight, IP54, Round. Ceiling cut-out Ø 135 mm, Installation depth 98 mm, Outer diameter 145 mm, Weight 0,236 kg, with rotationssymmetrical, deep, wide distributed light intensity. Cover polycarbonat opal Luminous flux 1.010 - 1.280 lm, Power 1 x 13 W, Light colour warm white to daylight white, Correlated color temperature (CCT) 3.000 - 5.700 K, Colour rendering index CRI > 80, Rated life time L70/B50 at 25 °C: 54.000 h, Housing material: Plastic, Colour: white matt, Permissible ambient temperature (ta): -20 °C up to +25 °C, Protection class (EN 61140): II, Degree of protection (DIN EN 60529): IP54, shock resistance according to IEC62262: IK03. With electronic driver, on/off switchable.

Product Benefits

- Round recessed downlight made of plastic with opal plastic cover.
- Simple and toolless mounting due to the use of a plug-in terminal, which is also suitable for through-wiring.
- CRI > 80.
- Low mounting depth of 98 mm, diameter of 145 mm, Ceiling cut-out 125 mm.
- Room side protection IP54.
- Usable up to a maximum ceiling thickness of 22 mm.


ZULO MINI LED recessed downlight, IP54

Article no. 32027073

Article data	
Article no.	32027073
GTIN	425 1433926054
Series name	ZULO MINI
Short description	LED recessed downlight, IP54
Material	Plastic
Colour	white matt
Type of surface	Matt
Shape	Round
Outer diameter	145 mm
Built-in diameter min.	125 mm
Built-in diameter max.	135 mm
Installation depth	98 mm
Height	3 mm
Scope of delivery	incl. converter for connection to 230 V mains voltage, on/off switchable
Weight	0.236 kg
D licence plate	No
Conformance	CE, UKCA

Lighting technology	
Colour temperature	3.000 K / 4.000 K / 5.700 K
Color Temperature 1	3,000 K
Color Temperature 2	4,000 K
Color Temperature 3	5,700 K
Light output	Direct
Luminous flux	1,010 - 1,280 lm
Luminous flux 1	1,010 lm
Luminous flux 2	1,280 lm
Luminous flux 3	1,180 lm
System efficiency	98 lm/W
Colour rendering	CRI > 80
Reflector	Without
Beam angle	90°
Light sharing	Symmetric
Adjustable color temperature	Stages

Operating technology of the luminaire	
System output	13 W
Voltage type	AC
AC nominal voltage max	230 V
Frequency max	50 Hz
Lamp	LED
Protection class	II
Protection class on the ceiling side	IP40
Degree of protection	IP54
Dimmable	No
Control	on/off
Bulb change possible	The light source of this luminaire may only be replaced by the manufacturer or a service technician commissioned by him or a similarly qualified person.
Rated life time L70/B50 at 25 °C	54,000 h
Energy efficiency class	not required


ZULO MINI LED recessed downlight, IP54

Article no. 32027073

Mounting technology	
Mounting method	Recessed mounting
Place of installation	Ceiling-mounted
Adjustability	Not adjustable
Max. ceiling thickness	22 mm
Impact resistance	IK03
Further references	No cover with thermal insulation material
Material cover	Polycarbonat opal
Suitable for through-wiring	Yes

Packing data	
Gross weight	0.336 kg
Length of packaging	155 mm
Packaging width	155 mm
Packaging height	110 mm
Disposal at end of life	<p>This product must not be disposed of with household waste. You are obliged, to dispose of such electrical waste separately.</p> <p>By disposing of electrical waste and other old or defective electronics separately, you support recycling or other forms of re-use. In that way you help to take care and to avoid that harmful substances get into the environment.</p>