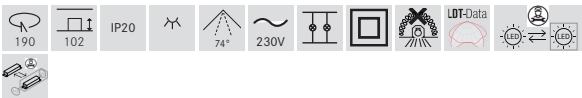
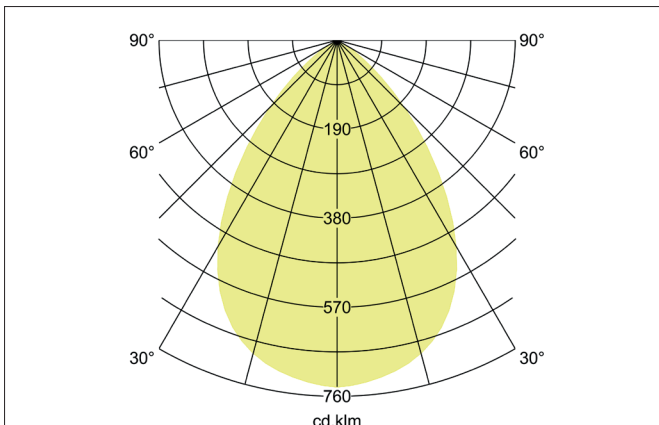
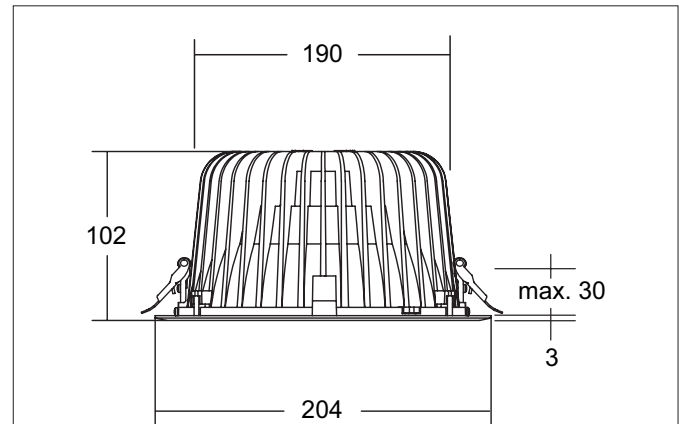



KACIE MIDI LED recessed downlight, on/off switchable

Article no. 12550173


Tender

Round LED recessed downlight, switchable, silver reflector, faceted, tool-free ceiling installation using installation springs. Ceiling cut-out Ø 190 mm, installation depth 102 mm, outer diameter 204 mm, weight 1.174 kg, silver reflector with rotationally symmetrical deep-wide beam light distribution. Cover PC (polycarbonate) opal, rated luminous flux 2,280 lm, UGR < 22, rated wattage 1 x 25 W, luminaire luminous efficacy 91 lm/W, light color warm white, most similar color temperature (CCT) 3,000 K, general color rendering index CRI > 90, service life L70/B10 at 25 °C: 50.000 h, service life L70/B50 at 25 °C: 50,000 h, housing material: aluminum / polycarbonate / steel, color: textured white, permissible ambient temperature (ta): -20 °C - +25 °C, protection class (EN 61140): II, degree of protection (DIN EN 60529): IP20. With electronic control gear, switchable.

Product Benefits

- Round recessed downlight made of massive aluminum with generously dimensioned thermal management.
- High-quality reflector and additional recessed opal diffusing lens made of polycarbonate.
- Easy and tool-free mounting.
- CRI > 90, UGR < 22 (on request also in UGR < 19).
- Low installation depth of 102 mm - diameter of 204 mm, ceiling cut-out 190 mm.
- As a variant also available in DALI dimmable.


KACIE MIDI LED recessed downlight, on/off switchable

Article no. 12550173

Article data	
Article no.	12550173
GTIN	4251433937692
Series name	KACIE MIDI
Short description	LED recessed downlight, on/off switchable
Material	Aluminium / Polycarbonate / Steel
Colour	white structure
Type of surface	Structure
Shape	Round
Outer diameter	204 mm
Built-in diameter min.	185 mm
Built-in diameter max.	190 mm
Installation depth	102 mm
Height	3 mm
Scope of delivery	Incl. converter for connection to the 230-V mains voltage, on/off switchable
Weight	1.174 kg
D licence plate	No
Conformance	CE, UKCA

Lighting technology	
Colour temperature	3.000 K
Light colour	white
Light output	Direct
Luminous flux	2,280 lm
System efficiency	91 lm/W
Colour rendering	CRI > 90
Reflector	Faceted
Reflector colour	silver
Beam angle	74°
Glare evaluation	UGR < 22
Light sharing	Symmetric
Adjustable color temperature	No

Operating technology of the luminaire	
System output	25 W
Voltage type	AC
AC nominal voltage max	230 V
Frequency max	50 Hz
Lamp	LED
Protection class	II
Degree of protection	IP20
Dimmable	No
Control	on/off
Bulb change possible	The light source of this luminaire may only be replaced by the manufacturer or a service technician commissioned by him or a similarly qualified person.
Rated life time L70/B50 at 25 °C	50,000 h
Energy efficiency class	not required

Mounting technology	
Mounting method	Recessed mounting
Place of installation	Ceiling-mounted
Adjustability	Not adjustable
Max. ceiling thickness	30 mm
Further references	No cover with thermal insulation material
Material cover	Polycarbonat opal
Suitable for through-wiring	Yes, with optional accessories


BRUMBERG

Light. Since 1873.

KACIE MIDI LED recessed downlight, on/off switchable

Article no. 12550173

Packing data	
Gross weight	1.356 kg
Length of packaging	200 mm
Packaging width	200 mm
Packaging height	100 mm
Disposal at end of life	<p>This product must not be disposed of with household waste. You are obliged, to dispose of such electrical waste separately.</p> <p>By disposing of electrical waste and other old or defective electronics separately, you support recycling or other forms of re-use. In that way you help to take care and to avoid that harmful substances get into the environment.</p>

Optional accessories	
Article no.: 81026170 Reducing ring for recessed downlight Dimensions: 270 mm x 1.5 mm https://www.brumberg.com/fileadmin/products/Datenblatt_81026170_2021_DE.pdf	
Article no.: 83330000 Connection box 230 V AC, 3-pole Dimensions: 85 mm x 35 mm x 30 mm https://www.brumberg.com/fileadmin/products/Datenblatt_83330000_2021_DE.pdf	