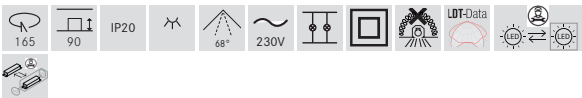
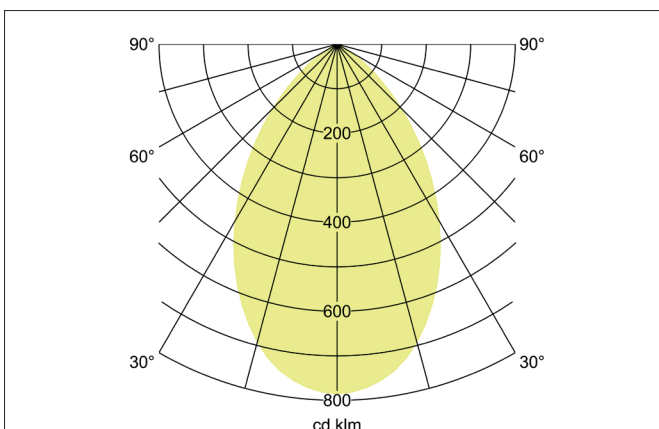
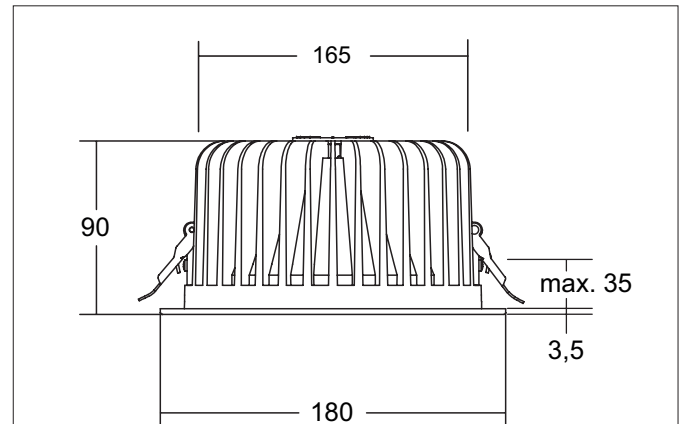



KACIE MINI LED recessed downlight, on/off switchable

Article no. 12570184


Tender

LED recessed downlight, on/off switchable, Round. Toolless ceiling installation by installation springs. Ceiling cut-out Ø 165 mm, Installation depth 90 mm, Outer diameter 180 mm, Weight 1,159 kg, Reflector silver with rotationssymmetrical, deep, wide distributed light intensity. Cover polycarbonat opal. Luminous flux 2.160 lm, UGR < 22, Power 1 x 23 W, System Efficiency 94 lm/W, Light colour neutral white, Correlated color temperature (CCT) 4.000 K, Colour rendering index CRI > 90, Rated life time L70/B10 at 25 °C: 50.000 h, Rated life time L70/B50 at 25 °C: 50.000 h, Housing material: Aluminium / Polycarbonate / Steel, Colour: black structure, Permissible ambient temperature (ta): -20 °C - +25 °C, Protection class (EN 61140): II, Degree of protection (DIN EN 60529): IP20. With electronic driver, on/off switchable.

Product Benefits

- Round recessed downlight made of massive aluminum with generously dimensioned thermal management.
- High-quality reflector and additional recessed opal diffusing lens made of polycarbonate.
- Easy and tool-free mounting.
- CRI > 90, UGR < 22 (on request also in UGR < 19).
- Low installation depth of 90 mm - diameter of 180 mm, ceiling cut-out 165 mm.
- As a variant also available in DALI dimmable.


KACIE MINI LED recessed downlight, on/off switchable

Article no. 12570184

Article data	
Article no.	12570184
GTIN	4251433943501
Series name	KACIE MINI
Short description	LED recessed downlight, on/off switchable
Material	Aluminium / Polycarbonate / Steel
Colour	black structure
Type of surface	Structure
Shape	Round
Outer diameter	180 mm
Built-in diameter min.	160 mm
Built-in diameter max.	165 mm
Installation depth	90 mm
Hight	3.5 mm
Scope of delivery	Incl. converter for connection to the 230-V mains voltage, on/off switchable
Weight	1.159 kg
D licence plate	No
Conformance	CE, UKCA

Lighting technology	
Colour temperature	4.000 K
Light colour	white
Light output	Direct
Luminous flux	2,160 lm
System efficiency	94 lm/W
Colour rendering	CRI > 90
Reflector	Faceted
Reflector colour	silver
Beam angle	68°
Glare evaluation	UGR < 22
Light sharing	Symmetric
Adjustable color temperature	No

Operating technology of the luminaire	
System output	23 W
Voltage type	AC
AC nominal voltage max	230 V
Frequency max	50 Hz
Lamp	LED
Protection class	II
Degree of protection	IP20
Dimmable	No
Control	on/off
Bulb change possible	The light source of this luminaire may only be replaced by the manufacturer or a service technician commissioned by him or a similarly qualified person.
Rated life time L70/B50 at 25 °C	50,000 h
Energy efficiency class	not required

Mounting technology	
Mounting method	Recessed mounting
Place of installation	Ceiling-mounted
Adjustability	Not adjustable
Max. ceiling thickness	35 mm
Further references	No cover with thermal insulation material
Material cover	Polycarbonat opal
Suitable for through-wiring	Yes, with optional accessories


KACIE MINI LED recessed downlight, on/off switchable

Article no. 12570184

Packing data	
Gross weight	1.304 kg
Length of packaging	220 mm
Packaging width	210 mm
Packaging height	120 mm
Disposal at end of life	<p>This product must not be disposed of with household waste. You are obliged, to dispose of such electrical waste separately.</p> <p>By disposing of electrical waste and other old or defective electronics separately, you support recycling or other forms of re-use. In that way you help to take care and to avoid that harmful substances get into the environment.</p>

Optional accessories	
Article no.: 81025180 Reducing ring for recessed downlight	<p>Dimensions: 250 mm x 1.5 mm</p> <p>https://www.brumberg.com/fileadmin/products/Datenblatt_81025180_2021_DE.pdf</p>
Article no.: 83330000 Connection box 230 V AC, 3-pole	<p>Dimensions: 85 mm x 35 mm x 30 mm</p> <p>https://www.brumberg.com/fileadmin/products/Datenblatt_83330000_2021_DE.pdf</p>