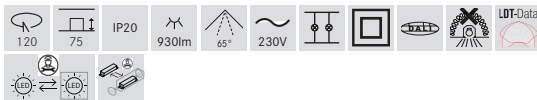
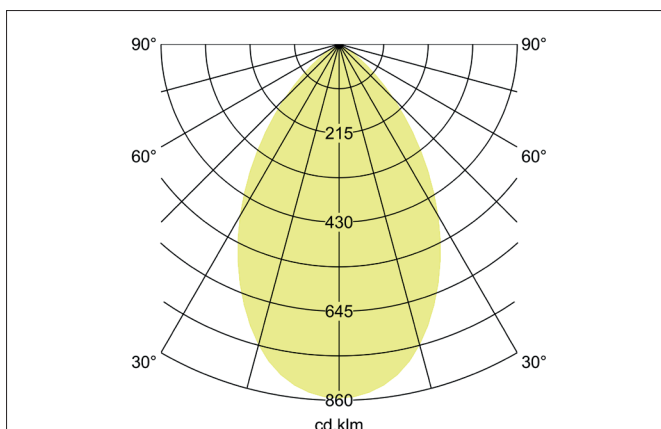
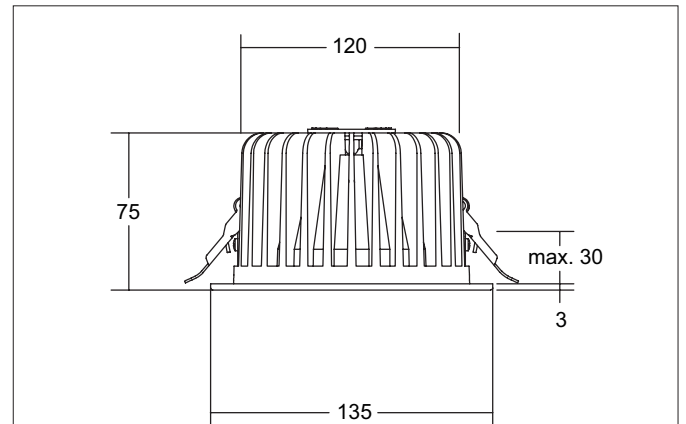



KACIE MICRO LED recessed downlight, DALI dimmable
 Article no. 12562174

Tender

LED recessed downlight, DALI dimmable, Round. Toolless ceiling installation by installation springs. Ceiling cut-out \varnothing 120 mm, Installation depth 75 mm, Outer diameter 135 mm, Weight 0,694 kg, Reflector silver with rotationssymmetrical, deep, wide distributed light intensity. Cover polycarbonat opal. Luminous flux 930 lm, UGR < 19, Power 1 x 12 W, System Efficiency 78 lm/W, Light colour neutral white, Correlated color temprature (CCT) 4.000 K, Colour rendering index CRI > 90, Rated life time L70/B10 at 25 °C: 50.000 h, Rated life time L70/B50 at 25 °C: 50.000 h, Housing material: Aluminium / Polycarbonate / Steel, Colour: white structure, Permissible ambient temperature (ta): -20 °C - +25 °C, Protection class (EN 61140): II, Degree of protection (DIN EN 60529): IP20. With electronic driver, DALI-2 dimmable.

Product Benefits

- Round recessed downlight made of massive aluminum with generously dimensioned thermal management.
- High-quality reflector and additional recessed opal diffusing lens made of polycarbonate.
- Easy and tool-free mounting.
- CRI > 90, UGR < 22 (on request also in UGR < 19).
- Low installation depth of 75 mm - diameter of 135 mm, ceiling cut-out 120 mm.
- DALI dimmable.


KACIE MICRO LED recessed downlight, DALI dimmable

Article no. 12562174

Article data	
Article no.	12562174
GTIN	4251433943402
Series name	KACIE MICRO
Short description	LED recessed downlight, DALI dimmable
Material	Aluminium / Polycarbonate / Steel
Colour	white structure
Type of surface	Structure
Shape	Round
Outer diameter	135 mm
Built-in diameter min.	115 mm
Built-in diameter max.	120 mm
Installation depth	75 mm
Height	3 mm
Scope of delivery	Incl. converter for connection to 230 V mains voltage, DALI dimmable
Weight	0.694 kg
D licence plate	No
Conformance	CE, UKCA

Lighting technology	
Colour temperature	4.000 K
Light colour	white
Light output	Direct
Luminous flux	930 lm
System efficiency	78 lm/W
Colour rendering	CRI > 90
Reflector	Faceted
Reflector colour	silver
Beam angle	65°
Glare evaluation	UGR < 19
Light sharing	Symmetric
Adjustable color temperature	No

Operating technology of the luminaire	
System output	12 W
Voltage type	AC
AC nominal voltage max	230 V
Frequency max	50 Hz
Lamp	LED
Protection class	II
Degree of protection	IP20
Dimmable	Yes
Control	DALI-2
Bulb change possible	The light source of this luminaire may only be replaced by the manufacturer or a service technician commissioned by him or a similarly qualified person.
Rated life time L70/B50 at 25 °C	50,000 h
Energy efficiency class	not required

Mounting technology	
Mounting method	Recessed mounting
Place of installation	Ceiling-mounted
Adjustability	Not adjustable
Max. ceiling thickness	30 mm
Further references	No cover with thermal insulation material
Material cover	Polycarbonat opal
Suitable for through-wiring	Yes, with optional accessories

**KACIE MICRO LED recessed downlight, DALI dimmable**

Article no. 12562174

Packing data	
Gross weight	0.822 kg
Length of packaging	170 mm
Packaging width	170 mm
Packaging height	110 mm
Disposal at end of life	This product must not be disposed of with household waste. You are obliged, to dispose of such electrical waste separately. By disposing of electrical waste and other old or defective electronics separately, you support recycling or other forms of re-use. In that way you help to take care and to avoid that harmful substances get into the environment.

Optional accessories	
Article no.: 81024170 Reducing ring for recessed downlight	
Dimensions: 200 mm x 1.5 mm https://www.brumberg.com/fileadmin/products/Datenblatt_81024170_2021_DE.pdf	
Article no.: 83331000 Connection box 230 V AC, 5-pole (DALI / 1-10 V)	
Dimensions: 90 mm x 52 mm x 30 mm https://www.brumberg.com/fileadmin/products/Datenblatt_83331000_2021_DE.pdf	