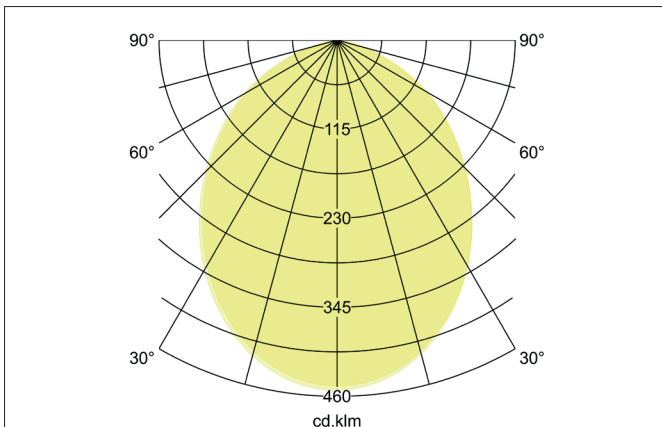
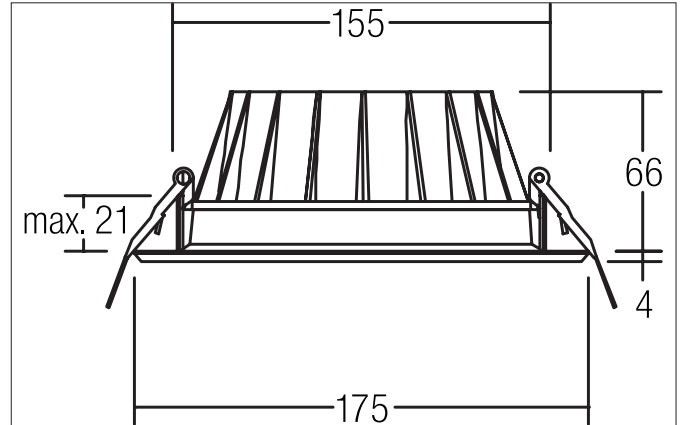




BOWL MIDI LED recessed downlight
 Article no. 12528074



Tender
 LED recessed downlight, white matt, Round. In a compact design, for installation in tool-less rapid assembly systems. Mounting method: Recessed mounting, Place of installation: Ceiling-mounted, Material: Aluminium / PMMA, Degree of protection: according to DIN EN 60529 IP20, Protection class: (EN 61140) III, Power: 20 W, Amount of light sources / fittings: 1 piece, Luminous flux: 2.030 lm, Colour temperature: 4.000 K, Light colour: white, Beam angle: 93°, Adjustability: Not adjustable, without control gear, Dimmable: Depending on type of control gear, Type of dimming: Depending on driver.

Product Benefits

- Recessed downlight in round design made of solid aluminium with opal PMMA cover
- Ceiling cutout 155 mm, outer diameter 175 mm, installation depth 66 mm, luminous flux 1,330 / 1,960 lm, IP20.
- Recessed light emission.
- Dimmable when using a suitable converter.
- Alternatively available in two other sizes.


BOWL MIDI LED recessed downlight

Article no. 12528074

Article data	
Article no.	12528074
GTIN	425 14339 17823
Series name	BOWL MIDI
Short description	LED recessed downlight
Material	Aluminium / PMMA
Colour	white matt
Type of surface	Matt
Shape	Round
Outer diameter	175 mm
Built-in diameter min.	152 mm
Built-in diameter max.	155 mm
Installation depth	66 mm
Hight	4 mm
Weight	0.48 kg
D licence plate	No
Conformance	CE, UKCA

Lighting technology	
Colour temperature	4.000 K
Light colour	white
Light output	Direct
Luminous flux	2,030 lm
Colour rendering	CRI > 80
Reflector	Without
Beam angle	93°
Light sharing	Symmetric
Adjustable color temperature	No

Operating technology of the luminaire	
Voltage type	DC
Current	500 mA
Lamp	LED
Protection class	III
Degree of protection	IP20
Dimmable	Depending on type of control gear
Control	Depending on driver
Bulb change possible	The light source of this luminaire may only be replaced by the manufacturer or a service technician commissioned by him or a similarly qualified person.
Rated life time L70/B50 at 25 °C	50,000 h
Energy efficiency class	not required

Mounting technology	
Mounting method	Recessed mounting
Place of installation	Ceiling-mounted
Adjustability	Not adjustable
Max. ceiling thickness	21 mm
Further references	No cover with thermal insulation material
Material cover	Plastic, opal
Suitable for through-wiring	Yes, with optional accessories


BOWL MIDI LED recessed downlight

Article no. 12528074

Packing data	
Gross weight	0.702 kg
Length of packaging	260 mm
Packaging width	195 mm
Packaging height	115 mm
Disposal at end of life	<p>This product must not be disposed of with household waste. You are obliged, to dispose of such electrical waste separately.</p> <p>By disposing of electrical waste and other old or defective electronics separately, you support recycling or other forms of re-use. In that way you help to take care and to avoid that harmful substances get into the environment.</p>

Required accessories	
Article no.: 17823010	LED converter 500 mA, on/off switchable
Power:	1 - 22 W, ohne Konfektionierung
Dimensions:	146.5 mm x 43.5 mm x 30 mm
	https://www.brumberg.com/fileadmin/products/Datenblatt_17823010_2021_DE.pdf
Article no.: 17822010	LED converter 500 mA, trailing-edge phase dimmable
Power:	8 - 20 W, ohne Konfektionierung
Dimensions:	110.5 mm x 52 mm x 22 mm
	https://www.brumberg.com/fileadmin/products/Datenblatt_17822010_2021_DE.pdf
Article no.: 17829010	LED converter 500 mA, trailing-edge phase dimmable
Power:	1 - 24 W, ohne Konfektionierung
Dimensions:	166 mm x 46 mm x 34 mm
	https://www.brumberg.com/fileadmin/products/Datenblatt_17829010_2021_DE.pdf
Article no.: 17824010	LED converter 500 mA, 1-10V dimmable (analog)
Power:	5 - 27 W, ohne Konfektionierung
Dimensions:	146.5 mm x 43.5 mm x 30 mm
	https://www.brumberg.com/fileadmin/products/Datenblatt_17824010_2021_DE.pdf
Article no.: 17826010	LED converter 500 mA, DALI dimmable (digital)
Power:	5 - 27 W, ohne Konfektionierung
Dimensions:	146.5 mm x 44 mm x 30 mm
	https://www.brumberg.com/fileadmin/products/Datenblatt_17826010_2021_DE.pdf

Optional accessories	
Article no.: 83330000	Connection box 230 V AC, 3-pole
Dimensions:	85 mm x 35 mm x 30 mm
	https://www.brumberg.com/fileadmin/products/Datenblatt_83330000_2021_DE.pdf
Article no.: 83331000	Connection box 230 V AC, 5-pole (DALI / 1-10 V)
Dimensions:	90 mm x 52 mm x 30 mm
	https://www.brumberg.com/fileadmin/products/Datenblatt_83331000_2021_DE.pdf