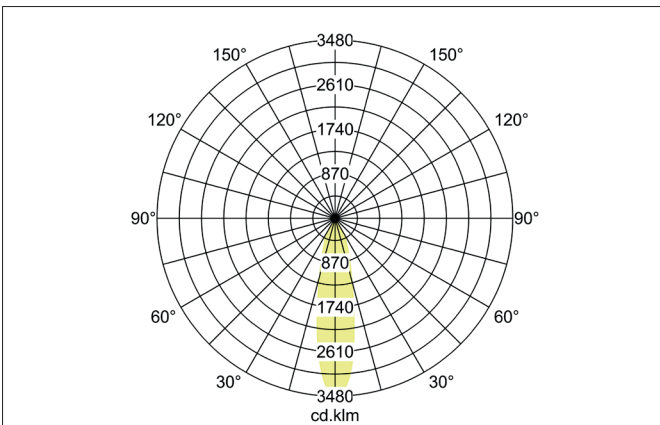
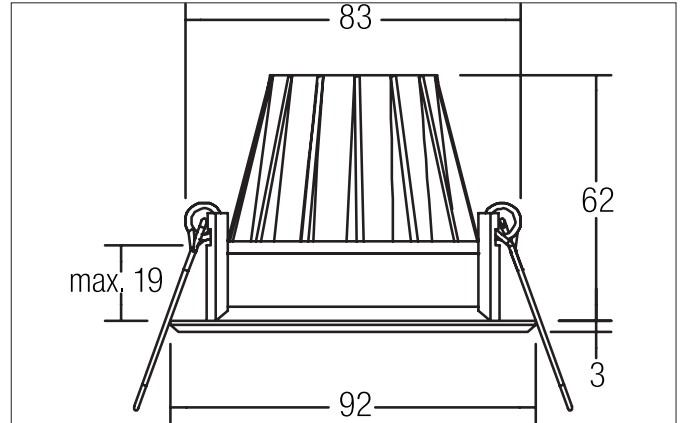




BOWL-R LED recessed downlight
Article no. 12520073



Tender
LED recessed downlight, white matt, Round. In a compact design, for installation in tool-less rapid assembly systems. Lamp holder: Plug&Play, Mounting method: Recessed mounting, Place of installation: Ceiling-mounted, Material: Aluminium / Glass, Degree of protection: according to DIN EN 60529 IP20, Protection class: (EN 61140) III, Power: 7 W, Amount of light sources / fittings: 1 piece, Luminous flux: 630 lm, Colour temperature: 3.000 K, Light colour: white, Beam angle: 30°, Adjustability: Not adjustable, without control gear, Dimmable: Depending on type of control gear, Type of dimming: Depending on driver.

Product Benefits

- Recessed downlight in round design made of solid aluminum.
- Ceiling cutout 83 mm, outer diameter 92 mm, recess depth 62 mm, luminous flux 630 / 660 lm, IP20.
- Recessed light emission for improved glare control
- Dimmable when using a suitable converter.
- Alternatively also available in square design.

**BOWL-R LED recessed downlight**

Article no. 12520073

Article data	
Article no.	12520073
GTIN	425 14339 15010
Series name	BOWL-R
Short description	LED recessed downlight
Material	Aluminium / Glass
Colour	white matt
Type of surface	Matt
Shape	Round
Outer diameter	92 mm
Built-in diameter min.	80 mm
Built-in diameter max.	83 mm
Installation depth	62 mm
Hight	3 mm
Weight	0.143 kg
D licence plate	No
Conformance	CE, UKCA

Lighting technology	
Colour temperature	3.000 K
Light colour	white
Light output	Direct
Luminous flux	630 lm
Colour rendering	CRI > 80
Reflector	Faceted
Reflector colour	silver
Beam angle	30°
Light sharing	Symmetric
Adjustable color temperature	No

Operating technology of the luminaire	
System output	7 W
Voltage type	DC
Current	700 mA
Lamp	LED
Lamp holder	Plug&Play
Protection class	III
Degree of protection	IP20
Dimmable	Depending on type of control gear
Control	Depending on driver
Bulb change possible	The light source of this luminaire may only be replaced by the manufacturer or a service technician commissioned by him or a similarly qualified person.
Rated life time L70/B50 at 25 °C	50,000 h
Energy efficiency class	not required

Mounting technology	
Mounting method	Recessed mounting
Place of installation	Ceiling-mounted
Adjustability	Not adjustable
Max. ceiling thickness	19 mm
Further references	No cover with thermal insulation material
Material cover	Glass transparent
Suitable for through-wiring	Yes, with optional accessories

**BOWL-R LED recessed downlight**

Article no. 12520073

Packing data	
Gross weight	0.232 kg
Length of packaging	165 mm
Packaging width	125 mm
Packaging height	90 mm
Disposal at end of life	<p>This product must not be disposed of with household waste. You are obliged, to dispose of such electrical waste separately.</p> <p>By disposing of electrical waste and other old or defective electronics separately, you support recycling or other forms of re-use. In that way you help to take care and to avoid that harmful substances get into the environment.</p>

**BOWL-R LED recessed downlight**

Article no. 12520073

Required accessories
<p>Article no.: 17723000 LED converter 700 mA, on/off switchable Power: 1,4 - 31 W, Plug&Play Dimensions: 146.5 mm x 43.5 mm x 30 mm https://www.brumberg.com/fileadmin/products/Datenblatt_17723000_2021_DE.pdf</p>
<p>Article no.: 17723020 LED converter 700 mA, on/off switchable Power: 1,4 - 31 W, Plug&Play + Anschlussbox Dimensions: 146.5 mm x 43.5 mm x 30 mm https://www.brumberg.com/fileadmin/products/Datenblatt_17723020_2021_DE.pdf</p>
<p>Article no.: 17748000 LED converter 700 mA, trailing-edge phase dimmable Power: 1,4 - 32 W, Plug&Play Dimensions: 166 mm x 46 mm x 34 mm https://www.brumberg.com/fileadmin/products/Datenblatt_17748000_2021_DE.pdf</p>
<p>Article no.: 17748020 LED converter 700 mA, trailing-edge phase dimmable Power: 1,4 - 32 W, Plug&Play + Anschlussbox Dimensions: 166 mm x 46 mm x 34 mm https://www.brumberg.com/fileadmin/products/Datenblatt_17748020_2021_DE.pdf</p>
<p>Article no.: 17767000 LED converter 700 mA, 1-10 V dimmable (analog) Power: 2,1 - 20 W, Plug&Play Dimensions: 110.5 mm x 52 mm x 22 mm https://www.brumberg.com/fileadmin/products/Datenblatt_17767000_2021_DE.pdf</p>
<p>Article no.: 17767020 LED converter 700 mA, 1-10 V dimmable (analog) Power: 2,1 - 20 W, Plug&Play + Anschlussbox Dimensions: 110.5 mm x 52 mm x 22 mm https://www.brumberg.com/fileadmin/products/Datenblatt_17767020_2021_DE.pdf</p>
<p>Article no.: 17777000 LED converter 700 mA, 1-10 V dimmable (analog) Power: 7 - 36 W, Plug&Play Dimensions: 146.5 mm x 43.5 mm x 30 mm https://www.brumberg.com/fileadmin/products/Datenblatt_17777000_2021_DE.pdf</p>
<p>Article no.: 17758000 LED round converter 700 mA, DALI dimmable (digital) Power: 4,2 - 9 W, Plug&Play Dimensions: 56 mm x 25 mm https://www.brumberg.com/fileadmin/products/Datenblatt_17758000_2021_DE.pdf</p>
<p>Article no.: 17758020 LED round converter 700 mA, DALI dimmable (digital) Power: 4,2 - 9 W, Plug&Play + Anschlussbox Dimensions: 56 mm x 25 mm https://www.brumberg.com/fileadmin/products/Datenblatt_17758020_2021_DE.pdf</p>
<p>Article no.: 17783000 LED converter 700 mA, DALI dimmable, (digital) Power: 2,1 - 20 W, Plug&Play Dimensions: 110.5 mm x 52 mm x 22 mm https://www.brumberg.com/fileadmin/products/Datenblatt_17783000_2021_DE.pdf</p>

**BOWL-R LED recessed downlight**

Article no. 12520073

Required accessories
<p>Article no.: 17783020 LED converter 700 mA, DALI dimmable, (digital) Power: 2,1 - 20 W, Plug&Play + Anschlussbox Dimensions: 110.5 mm x 52 mm x 22 mm https://www.brumberg.com/fileadmin/products/Datenblatt_17783020_2021_DE.pdf</p>
<p>Article no.: 17788000 LED converter 700 mA, DALI dimmable (digital) Power: 7 - 38 W, Plug&Play Dimensions: 146.5 mm x 44 mm x 30 mm https://www.brumberg.com/fileadmin/products/Datenblatt_17788000_2021_DE.pdf</p>
<p>Article no.: 17788020 LED converter 700 mA, DALI dimmable (digital) Power: 7 - 38 W, Plug&Play + Anschlussbox Dimensions: 146.5 mm x 44 mm x 30 mm https://www.brumberg.com/fileadmin/products/Datenblatt_17788020_2021_DE.pdf</p>
<p>Article no.: 17782000 LED converter 700 mA, DALI dimmable, (digital) Power: 3,5 - 38 W, Plug&Play Dimensions: 146.5 mm x 43.5 mm x 22 mm https://www.brumberg.com/fileadmin/products/Datenblatt_17782000_2021_DE.pdf</p>
<p>Article no.: 17782020 LED converter 700 mA, DALI dimmable, (digital) Power: 3,5 - 38 W, Plug&Play + Anschlussbox Dimensions: 146.5 mm x 43.5 mm x 22 mm https://www.brumberg.com/fileadmin/products/Datenblatt_17782020_2021_DE.pdf</p>
<p>Article no.: 17771000 LED converter 700mA, ZigBee dimmable Power: 7 - 36 W, Plug&Play Dimensions: 146.5 mm x 44 mm x 30 mm https://www.brumberg.com/fileadmin/products/Datenblatt_17771000_2021_DE.pdf</p>
<p>Article no.: 17771020 LED converter 700mA, ZigBee dimmable Power: 7 - 36 W, Plug&Play + Anschlussbox Dimensions: 146.5 mm x 44 mm x 30 mm https://www.brumberg.com/fileadmin/products/Datenblatt_17771020_2021_DE.pdf</p>
<p>Article no.: 17772000 LED converter 700mA, Casambi dimmable Power: 7 - 36 W, Plug&Play Dimensions: 146.5 mm x 44 mm x 30 mm https://www.brumberg.com/fileadmin/products/Datenblatt_17772000_2021_DE.pdf</p>
<p>Article no.: 17772020 LED converter 700mA, Casambi dimmable Power: 7 - 36 W, Plug&Play + Anschlussbox Dimensions: 146.5 mm x 44 mm x 30 mm https://www.brumberg.com/fileadmin/products/Datenblatt_17772020_2021_DE.pdf</p>



BOWL-R LED recessed downlight

Article no. 12520073

Optional accessories

Article no.: 3838

Plug & Play extension lead 700 mA

Dimensions: 500 mm

https://www.brumberg.com/fileadmin/products/Datenblatt_00003838_2021_DE.pdf

Article no.: 3839

Plug & Play extension lead 700 mA

Dimensions: 1,000 mm

https://www.brumberg.com/fileadmin/products/Datenblatt_00003839_2021_DE.pdf

Article no.: 3840

Plug & Play extension lead 700 mA

Dimensions: 2,000 mm

https://www.brumberg.com/fileadmin/products/Datenblatt_00003840_2021_DE.pdf