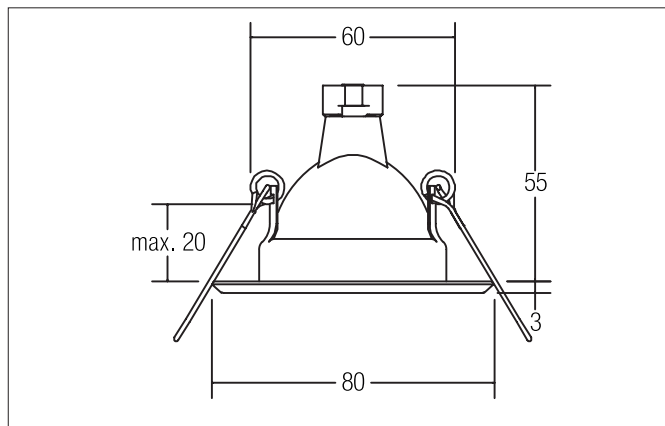



ILARIO Recessed downlight, MR16

Article no. 2017.02


Tender

Recessed downlight, MR16, chrome glossy, Round. In a compact design, for installation in tool-less rapid assembly systems. Lamp holder: GX5.3, Mounting method: Recessed mounting, Place of installation: Ceiling-mounted, Material: Steel, Degree of protection: according to DIN EN 60529 IP20, Protection class: (EN 61140) III, Voltage: 12 V, Power: 13 W, Amount of light sources / fittings: 1 piece, Adjustability: Not adjustable, without control gear, Dimmable: Depending on type of control gear, Type of dimming: Depending on driver.

Product Benefits

- Round recessed downlight made of steel.
- For LED retrofit lamp GX5.3.
- Easy and tool-free installation.
- Dimmable when using appropriate accessories.
- Diameter 80 mm, ceiling cutout 60 mm, installation depth 55 mm, ceiling thickness max. 20 mm.
- Available in chrome, chrome matt and white color finishes.


ILARIO Recessed downlight, MR16

Article no. 2017.02

Article data	
Article no.	2017.02
GTIN	4250047706717
Series name	ILARIO
Short description	Recessed downlight, MR16
Material	Steel
Colour	chrome glossy
Type of surface	Glossy
Shape	Round
Outer diameter	80 mm
Built-in diameter min.	55 mm
Built-in diameter max.	60 mm
Installation depth	55 mm
Hight	3 mm
Weight	0.042 kg
D licence plate	No
stamp	ENEC 05
Conformance	CE, UKCA

Operating technology of the luminaire	
System output	13 W
Voltage type	AC/DC
AC nominal voltage max	12 V
Frequency max	50 Hz
Lamp	For LED-retrofill lamp
Lamp holder	GX5.3
Protection class	III
Degree of protection	IP20
Dimmable	Depending on type of control gear
Control	Depending on driver
Bulb change possible	Yes
Energy efficiency class	not required

Mounting technology	
Mounting method	Recessed mounting
Place of installation	Ceiling-mounted
Adjustability	Not adjustable
Max. ceiling thickness	20 mm
Further references	No cover with thermal insulation material
Material cover	Without cover
Circlip	With circlip

Packing data	
Gross weight	0.061 kg
Length of packaging	85 mm
Packaging width	35 mm
Packaging hight	84 mm
Disposal at end of life	<p>This product must not be disposed of with household waste. You are obliged, to dispose of such electrical waste separately.</p> <p>By disposing of electrical waste and other old or defective electronics separately, you support recycling or other forms of re-use. In that way you help to take care and to avoid that harmful substances get into the environment.</p>



ILARIO Recessed downlight, MR16

Article no. 2017.02

Optional accessories

Article no.: 5366

Bracket with GX5.3 socket, with strain relief

https://www.brumberg.com/fileadmin/products/Datenblatt_00536600_2021_DE.pdf

Article no.: 5358

Bracket with socket GZ10, with strain relief

https://www.brumberg.com/fileadmin/products/Datenblatt_00535800_2021_DE.pdf

Article no.: 81204020

Reducing ring D 110 mm, for luminaire cut-out size 68 mm

https://www.brumberg.com/fileadmin/products/Datenblatt_81204020_2021_DE.pdf

Article no.: 81205020

Reducing ring D 130 mm, for luminaire cut-out size 68 mm

https://www.brumberg.com/fileadmin/products/Datenblatt_81205020_2021_DE.pdf

Article no.: 81206020

Reducing ring D 145 mm, for luminaire cut-out size 68 mm

https://www.brumberg.com/fileadmin/products/Datenblatt_81206020_2021_DE.pdf