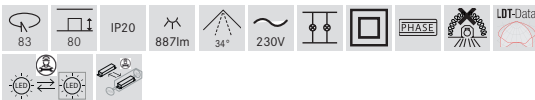
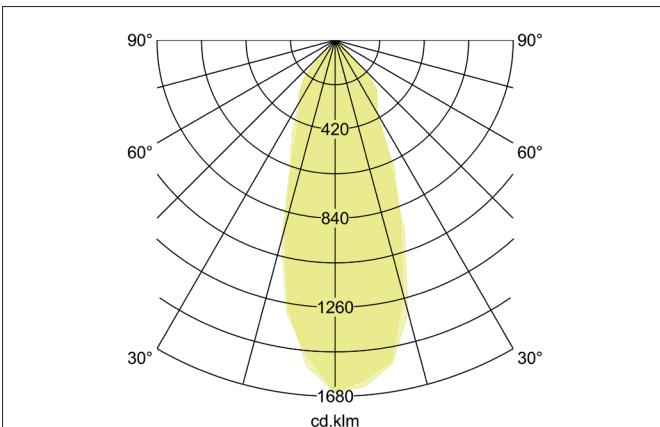
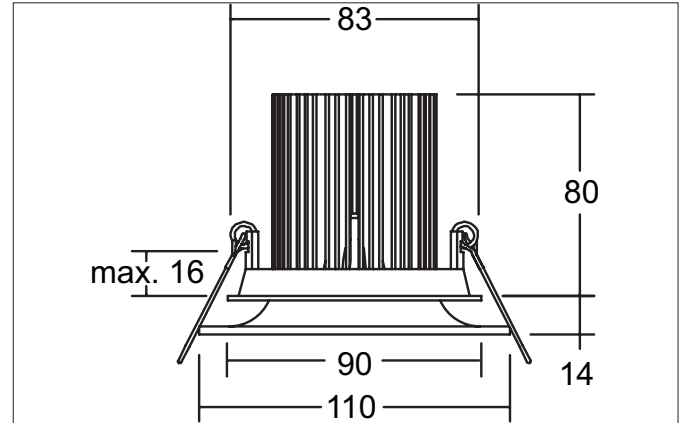




**CARESA LED recessed downlight set with indirect light component, trailing-edge phase dimmable**  
Article no. 39406073



**Tender**  
LED recessed downlight set with indirect light component, trailing-edge phase dimmable, Round. Toolless ceiling installation by installation springs. Ceiling cut-out Ø 83 mm, Installation depth 80 mm, Outer diameter 110 mm, Weight 0,238 kg, Reflector silver with rotationssymmetrical, deep, wide distributed light intensity. Cover plastic, transparent. Luminous flux 887 lm, Power 1 x 10,5 W, Light colour warm white, Correlated color temprature (CCT) 3.000 K, Colour rendering index CRI > 80, Rated life time L70/B50 at 25 °C: 50.000 h, Housing material: Aluminium / Glass / Plastic, Colour: white matt, Permissible ambient temperature (ta): -20 °C - +25 °C, Protection class (EN 61140): II, Degree of protection (DIN EN 60529): IP20. With electronic driver, Trailing-edge phase dimmable.

**Product Benefits**

- Recessed downlight in round design made of massive aluminum.
- Ceiling cutout 83 mm, outer diameter 110 mm, mounting depth 48 mm, Height 14 mm, luminous flux 887 lm, IP20.
- Recessed, indirect light for ceiling brightening.
- Complete set with dimmable converter (trailing-edge phase dimmer ).


**CARESA LED recessed downlight set with indirect light component, trailing-edge phase dimmable**

Article no. 39406073

Article data	
Article no.	39406073
GTIN	4251433946397
Series name	CARESA
Short description	LED recessed downlight set with indirect light component, trailing-edge phase dimmable
Material	Aluminium / Glass / Plastic
Colour	white matt
Type of surface	Matt
Shape	Round
Outer diameter	110 mm
Built-in diameter min.	80 mm
Built-in diameter max.	83 mm
Installation depth	80 mm
Hight	14 mm
Weight	0.238 kg
D licence plate	No
Conformance	CE, UKCA

Lighting technology	
Colour temperature	3.000 K
Light colour	white
Light output	Direct/Indirect
Luminous flux	887 lm
System efficiency	84 lm/W
Colour rendering	CRI > 80
Reflector	Faceted
Reflector colour	silver
Beam angle	34°
Light sharing	Symmetric
Adjustable color temperature	No

Operating technology of the luminaire	
System output	10.5 W
Voltage type	AC
AC nominal voltage max	230 V
Frequency max	50 Hz
Lamp	LED
Protection class	II
Degree of protection	IP20
Dimmable	Yes
Control	Trailing-edge phase
Bulb change possible	The light source of this luminaire may only be replaced by the manufacturer or a service technician commissioned by him or a similarly qualified person.
Rated life time L70/B50 at 25 °C	50,000 h
Energy efficiency class	not required


**CARESA LED recessed downlight set with indirect light component, trailing-edge phase dimmable**

Article no. 39406073

Operating technology of the luminaire	
Hight	14 mm
Outer diameter	110 mm
Lamp holder	Plug&Play
Power	10.5 W
Voltage type	DC
Current	350 mA
Lamp	LED
Protection class	III
Degree of protection	IP20
Rated life time L70/B50 at 25 °C	50,000 h
Energy efficiency class	not required
Bulb change possible	The light source of this luminaire may only be replaced by the manufacturer or a service technician commissioned by him or a similarly qualified person.

Operating technology of driver	
Article No. of used driver	17664000
Length	125 mm
Width	51 mm
Hight	20 mm
AC nominal voltage min	198 V
AC nominal voltage max	264 V
Frequency max	60 Hz
Dimmable	Yes
Control	Trailing-edge phase
Starting current	1.87 A, 48 µs
Power min	10.2 W
Power	14 W
Output current	350 mA
Degree of protection	IP20
Protection class	II

Operating technology of driver	
AC nominal voltage max	230 V
Frequency max	50 Hz
Protection class	II
Degree of protection	IP20
Power	10.5 W
Control	Trailing-edge phase

Mounting technology	
Mounting method	Recessed mounting
Place of installation	Ceiling-mounted
Adjustability	Not adjustable
Max. ceiling thickness	16 mm
Further references	No cover with thermal insulation material
Material cover	Plastic, transparent
Suitable for through-wiring	Yes, with optional accessories



**CARESA LED recessed downlight set with indirect light component, trailing-edge phase dimmable**  
 Article no. 39406073

Packing data	
Gross weight	0.334 kg
Length of packaging	145 mm
Packaging width	145 mm
Packaging height	140 mm
Disposal at end of life	<p>This product must not be disposed of with household waste. You are obliged, to dispose of such electrical waste separately.</p> <p>By disposing of electrical waste and other old or defective electronics separately, you support recycling or other forms of re-use. In that way you help to take care and to avoid that harmful substances get into the environment.</p>

Optional accessories
Article no.: 83330000 Connection box 230 V AC, 3-pole  Dimensions: 85 mm x 35 mm x 30 mm <a href="https://www.brumberg.com/fileadmin/products/Datenblatt_83330000_2021_DE.pdf">https://www.brumberg.com/fileadmin/products/Datenblatt_83330000_2021_DE.pdf</a>