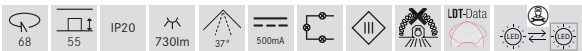
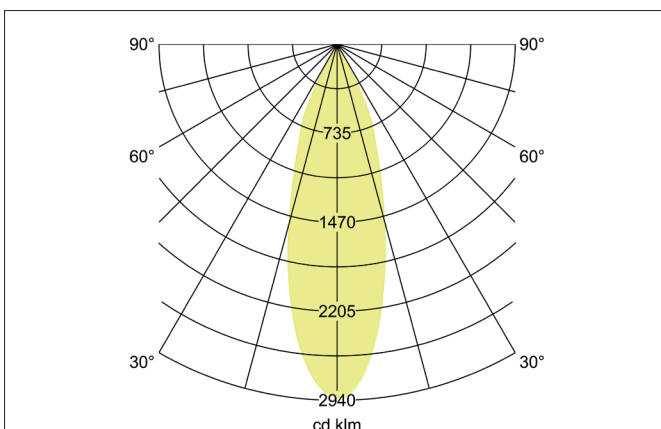
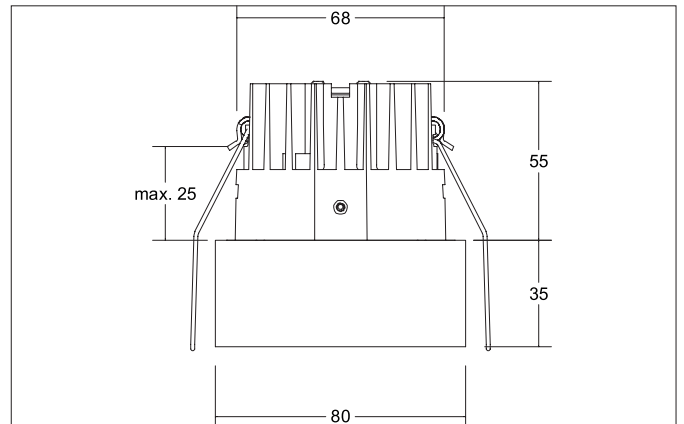




IMPLEMENT LED recessed downlight

Article no. 12391173



Tender

LED recessed downlight, white structure, Round. In a compact design, for installation in tool-less rapid assembly systems. Mounting method: Recessed mounting, Place of installation: Ceiling-mounted, Material: Aluminium / Plastic, Degree of protection: according to DIN EN 60529 IP20, Protection class: (EN 61140) III, Power: 8,9 W, Amount of light sources / fittings: 1 piece, Luminous flux: 730 lm, Colour temperature: 3.000 K, Light colour: white, Beam angle: 37°, Adjustability: Not adjustable, without control gear, Dimmable: Depending on type of control gear, Type of dimming: Depending on driver.

Product Benefits

- Recessed downlight in round design made of massive aluminum.
- Ceiling cutout 68 mm, outer diameter 80 mm, mounting depth 55 mm, height 35 mm, luminous flux 730 lm, IP20.
- 5 different products are available in optically identical interior appearance.
- Dimmable when using a suitable converter.
- This allows the realization of the projects with different mounting types recessed and surface mounting in different outer shells with similar inner insert.



IMPLEMENT LED recessed downlight

Article no. 12391173

Article data	
Article no.	12391173
GTIN	4251433925781
Series name	IMPLEMENT
Short description	LED recessed downlight
Material	Aluminium / Plastic
Colour	white structure
Type of surface	Structure
Shape	Round
Outer diameter	80 mm
Built-in diameter min.	65 mm
Built-in diameter max.	68 mm
Installation depth	55 mm
Hight	35 mm
Weight	0.25 kg
D licence plate	No
Conformance	CE, UKCA

Lighting technology	
Colour temperature	3.000 K
Light colour	white
Light output	Direct
Luminous flux	730 lm
Colour rendering	CRI > 90
Reflector	Faceted
Reflector colour	silver
Beam angle	37°
Light sharing	Symmetric
Adjustable color temperature	No

Operating technology of the luminaire	
Voltage type	DC
Current	500 mA
Lamp	LED
Protection class	III
Degree of protection	IP20
Dimmable	Depending on type of control gear
Control	Depending on driver
Bulb change possible	The light source of this luminaire may only be replaced by the manufacturer or a service technician commissioned by him or a similarly qualified person.
Rated life time L70/B50 at 25 °C	50,000 h
Energy efficiency class	not required

Mounting technology	
Mounting method	Recessed mounting
Place of installation	Ceiling-mounted
Adjustability	Not adjustable
Max. ceiling thickness	25 mm
Further references	No cover with thermal insulation material
Material cover	Plastic, transparent
Suitable for through-wiring	Yes, with optional accessories


IMPLEMENT LED recessed downlight

Article no. 12391173

Packing data	
Gross weight	0.328 kg
Length of packaging	120 mm
Packaging width	120 mm
Packaging height	110 mm
Disposal at end of life	<p>This product must not be disposed of with household waste. You are obliged, to dispose of such electrical waste separately.</p> <p>By disposing of electrical waste and other old or defective electronics separately, you support recycling or other forms of re-use. In that way you help to take care and to avoid that harmful substances get into the environment.</p>

Required accessories	
Article no.: 17823010	LED converter 500 mA, on/off switchable
Power: 1 - 22 W, ohne Konfektionierung	
Dimensions: 146.5 mm x 43.5 mm x 30 mm	
https://www.brumberg.com/fileadmin/products/Datenblatt_17823010_2021_DE.pdf	
Article no.: 17822010	LED converter 500 mA, trailing-edge phase dimmable
Power: 8 - 20 W, ohne Konfektionierung	
Dimensions: 110.5 mm x 52 mm x 22 mm	
https://www.brumberg.com/fileadmin/products/Datenblatt_17822010_2021_DE.pdf	
Article no.: 17829010	LED converter 500 mA, trailing-edge phase dimmable
Power: 1 - 24 W, ohne Konfektionierung	
Dimensions: 166 mm x 46 mm x 34 mm	
https://www.brumberg.com/fileadmin/products/Datenblatt_17829010_2021_DE.pdf	
Article no.: 17824010	LED converter 500 mA, 1-10V dimmable (analog)
Power: 5 - 27 W, ohne Konfektionierung	
Dimensions: 146.5 mm x 43.5 mm x 30 mm	
https://www.brumberg.com/fileadmin/products/Datenblatt_17824010_2021_DE.pdf	
Article no.: 17826010	LED converter 500 mA, DALI dimmable (digital)
Power: 5 - 27 W, ohne Konfektionierung	
Dimensions: 146.5 mm x 44 mm x 30 mm	
https://www.brumberg.com/fileadmin/products/Datenblatt_17826010_2021_DE.pdf	


IMPLEMENT LED recessed downlight

Article no. 12391173

Optional accessories
<p>Article no.: 81201170 Reducing ring D 110 mm, for luminaire cut-out size 68 mm</p> <p>Dimensions: 110 mm https://www.brumberg.com/fileadmin/products/Datenblatt_81201170_2021_DE.pdf</p>
<p>Article no.: 81202170 Reducing ring D 130 mm, for luminaire cut-out size 68 mm</p> <p>Dimensions: 130 mm https://www.brumberg.com/fileadmin/products/Datenblatt_81202170_2021_DE.pdf</p>
<p>Article no.: 81203170 Reducing ring D 145 mm, for luminaire cut-out size 68 mm</p> <p>Dimensions: 145 mm https://www.brumberg.com/fileadmin/products/Datenblatt_81203170_2021_DE.pdf</p>
<p>Article no.: 81091170 Mounting ring for recessed installation to 12391173</p> <p>Dimensions: 95 mm https://www.brumberg.com/fileadmin/products/Datenblatt_81091170_2021_DE.pdf</p>
<p>Article no.: 83330000 Connection box 230 V AC, 3-pole</p> <p>Dimensions: 85 mm x 35 mm x 30 mm https://www.brumberg.com/fileadmin/products/Datenblatt_83330000_2021_DE.pdf</p>
<p>Article no.: 83331000 Connection box 230 V AC, 5-pole (DALI / 1-10 V)</p> <p>Dimensions: 90 mm x 52 mm x 30 mm https://www.brumberg.com/fileadmin/products/Datenblatt_83331000_2021_DE.pdf</p>