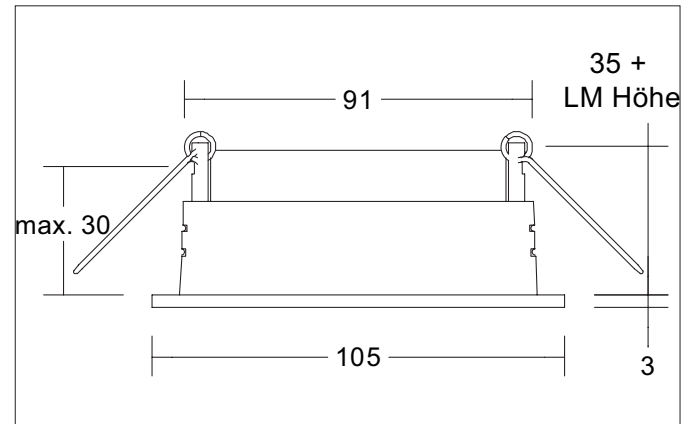



M1 Recessed housing, round, recessed, flush with module holder, pivoted

Article no. 45000180


Tender

Recessed housing, round, recessed, flush with module holder, pivoted, black structure, Round. In a compact design, for installation in tool-less rapid assembly systems. Lamp holder: Without fitting, Mounting method: Recessed mounting, Place of installation: Ceiling-mounted, Material: Aluminium, Degree of protection: according to DIN EN 60529 IP20, Protection class: (EN 61140) III, Power: 13 W, Amount of light sources / fittings: 1 piece, Adjustability: Pivoted, without control gear, Dimmable: Depending on type of control gear, Type of dimming: Depending on driver.

Product Benefits

- Part of the modular M1 system for recessed and surface-mounted ceilings.
- Empty housing for accommodating Brumberg LED modules up to a max. output of max. 14 W.
- Also available as a similar, rigid housing on the room side in IP44 version.
- Available in single color textured white, textured black or in combination textured white / textured black or textured black / textured white.
- 155 further housing versions plus approx. 30 different LED modules for these housing versions for all common control types.
- Multi-lamp versions also in the portfolio.


M1 Recessed housing, round, recessed, flush with module holder, pivoted

Article no. 45000180

| Article data | |
|------------------------|--|
| Article no. | 45000180 |
| GTIN | 4251433930884 |
| Series name | M1 |
| Short description | Recessed housing, round, recessed, flush with module holder, pivoted |
| Material | Aluminium |
| Colour | black structure |
| Type of surface | Structure |
| Shape | Round |
| Outer diameter | 105 mm |
| Built-in diameter min. | 91 mm |
| Built-in diameter max. | 91 mm |
| Installation depth | 105 mm |
| Hight | 3 mm |
| Scope of delivery | Incl. module holder flush, pivoted |
| Weight | 0.155 kg |
| D licence plate | No |
| Conformance | CE, UKCA |

| Operating technology of the luminaire | |
|---------------------------------------|-----------------------------------|
| Voltage type | DC |
| Lamp | For LED |
| Lamp holder | Without fitting |
| Protection class | III |
| Degree of protection | IP20 |
| Dimmable | Depending on type of control gear |
| Control | Depending on driver |
| Energy efficiency class | not required |

| Mounting technology | |
|-----------------------------|---|
| Mounting method | Recessed mounting |
| Place of installation | Ceiling-mounted |
| Adjustability | Pivoted |
| Swivel angle | 20° |
| Max. ceiling thickness | 30 mm |
| Further references | No cover with thermal insulation material Smarthome |
| Cover | Without cover |
| Circlip | Without circlip |
| Suitable for through-wiring | Yes, with optional accessories |

| Packing data | |
|-------------------------|---|
| Gross weight | 0.196 kg |
| Length of packaging | 133 mm |
| Packaging width | 124 mm |
| Packaging hight | 70 mm |
| Disposal at end of life | This product must not be disposed of with household waste. You are obliged, to dispose of such electrical waste separately. By disposing of electrical waste and other old or defective electronics separately, you support recycling or other forms of re-use. In that way you help to take care and to avoid that harmful substances get into the environment. |


M1 Recessed housing, round, recessed, flush with module holder, pivoted

Article no. 45000180

| Compatible LED-modu- | | | | | | | |
|----------------------|--------|------------|---|------------------|--|---------|-----------------|
| Article no. | Power | Beam angle | Colour temperature | Colour rendering | | Input | Hight LED-Modul |
| 12925003 | 3 W | 38° | 2.700 K | CRI > 80 | | 350 mA | 40 mm |
| 12926003 | 3 W | 38° | 3.000 K | CRI > 80 | | 350 mA | 40 mm |
| 12925004 | 3 W | 38° | 4.000 K | CRI > 80 | | 350 mA | 40 mm |
| 12923383 | 6 W | 38° | 2.700 K | CRI > 80 | | 350 mA | 32 mm |
| 12923603 | 6 W | 60° | 2.700 K | CRI > 80 | | 350 mA | 32 mm |
| 12927383 | 6 W | 38° | 2.700 K | CRI > 90 | | 350 mA | 32 mm |
| 12924383 | 6 W | 38° | 3.000 K | CRI > 80 | | 350 mA | 32 mm |
| 12924603 | 6 W | 60° | 3.000 K | CRI > 80 | | 350 mA | 32 mm |
| 12928383 | 6 W | 38° | 3.000 K | CRI > 90 | | 350 mA | 32 mm |
| 12924384 | 6 W | 38° | 3.500 K | CRI > 80 | | 350 mA | 32 mm |
| 12924604 | 6 W | 60° | 3.500 K | CRI > 80 | | 350 mA | 32 mm |
| 12928384 | 6 W | 38° | 3.500 K | CRI > 90 | | 350 mA | 32 mm |
| 12923384 | 6 W | 38° | 4.000 K | CRI > 80 | | 350 mA | 32 mm |
| 12923604 | 6 W | 60° | 4.000 K | CRI > 80 | | 350 mA | 32 mm |
| 12927384 | 6 W | 38° | 4.000 K | CRI > 90 | | 350 mA | 32 mm |
| 12920183 | 6 W | 18° | 3.000 K | CRI > 80 | | 350 mA | 31 mm |
| 12920243 | 6 W | 24° | 3.000 K | CRI > 80 | | 350 mA | 31 mm |
| 12920003 | 6 W | 38° | 3.000 K | CRI > 80 | | 350 mA | 31 mm |
| 12920603 | 6 W | 60° | 3.000 K | CRI > 80 | | 350 mA | 31 mm |
| 12920184 | 6 W | 18° | 4.000 K | CRI > 80 | | 350 mA | 31 mm |
| 12920244 | 6 W | 24° | 4.000 K | CRI > 80 | | 350 mA | 31 mm |
| 12920004 | 6 W | 38° | 4.000 K | CRI > 80 | | 350 mA | 31 mm |
| 12920604 | 6 W | 60° | 4.000 K | CRI > 80 | | 350 mA | 31 mm |
| 12963383 | 6 W | 38° | 3.000 K - 1.800 K | CRI > 90 | | 350 mA | 32 mm |
| 12963603 | 6 W | 60° | 3.000 K - 1.800 K | CRI > 90 | | 350 mA | 32 mm |
| 12953003 | 12 W | 38° | 2.700 K | CRI > 80 | | 350 mA | 70 mm |
| 12954003 | 12 W | 38° | 3.000 K | CRI > 80 | | 350 mA | 70 mm |
| 12954004 | 12 W | 38° | 3.500 K | CRI > 80 | | 350 mA | 70 mm |
| 12953004 | 12 W | 38° | 4.000 K | CRI > 80 | | 350 mA | 70 mm |
| 12965003 | 12 W | 38° | 3.000 K - 1.800 K | CRI > 90 | | 350 mA | 70 mm |
| 12983003 | 12.5 W | 38° | 3.000 K | CRI > 97 | | 350 mA | 95 mm |
| 12823003 | 8 W | 60° | 2.850 K | CRI > 90 | | 24.00 V | 52 mm |
| 12845604 | 8 W | 60° | 2.700 K - 6.500 K | CRI > 90 | | 24.00 V | 52 mm |
| 18438002 | 8 W | 60° | RGB+WW | CRI > 90 | | 24.00 V | 52 mm |
| 12929503 | 6.3 W | 50° | 2.700 K / 3.000 K / 4.000 K | CRI > 80 | | 350 mA | 34 mm |
| 12930503 | 5.9 W | 50° | 2.700 K / 3.000 K / 4.000 K | CRI > 90 | | 350 mA | 34 mm |
| 12933553 | 6 W | 55° | 2.700 K / 3.000 K / 4.000 K + dim-2warm (3.000 K - 2.200 K) | CRI > 90 | | 350 mA | 32 mm |


M1 Recessed housing, round, recessed, flush with module holder, pivoted

Article no. 45000180

| Required accessories |
|--|
| Article no.: 17665000 LED converter 350 mA, switchable Power: 1 - 3,2 W, Plug&Play Dimensions: 52 mm x 30 mm x 23 mm https://www.brumberg.com/fileadmin/products/Datenblatt_17665000_2021_DE.pdf |
| Article no.: 17662000 LED converter 350 mA, on/off switchable Power: 1 - 7,2 W, Plug&Play Dimensions: 68 mm x 35 mm x 21 mm https://www.brumberg.com/fileadmin/products/Datenblatt_17662000_2021_DE.pdf |
| Article no.: 17662020 LED converter 350 mA, on/off switchable Power: 1 - 7,2 W, Plug&Play + Anschlussbox Dimensions: 35 mm x 21 mm https://www.brumberg.com/fileadmin/products/Datenblatt_17662020_2021_DE.pdf |
| Article no.: 17613000 LED converter 350 mA, on/off switchable Power: 1 - 15 W, Plug&Play Dimensions: 115 mm x 34 mm x 19 mm https://www.brumberg.com/fileadmin/products/Datenblatt_17613000_2021_DE.pdf |
| Article no.: 17613020 LED converter 350 mA, on/off switchable Power: 1 - 15 W, Plug&Play + Anschlussbox Dimensions: 115 mm x 34 mm x 19 mm https://www.brumberg.com/fileadmin/products/Datenblatt_17613020_2021_DE.pdf |
| Article no.: 17621000 LED converter 350 mA, on/off switchable Power: 1 - 21 W, Plug&Play Dimensions: 128 mm x 50 mm x 13 mm https://www.brumberg.com/fileadmin/products/Datenblatt_17621000_2021_DE.pdf |
| Article no.: 17621020 LED converter 350 mA, on/off switchable Power: 1 - 21 W, Plug&Play + Anschlussbox Dimensions: 128 mm x 50 mm x 13 mm https://www.brumberg.com/fileadmin/products/Datenblatt_17621020_2021_DE.pdf |
| Article no.: 17663000 LED converter 350 mA, trailing-edge phase dimmable Power: 2,8 - 7 W, Plug&Play Dimensions: 110 mm x 50 mm x 19 mm https://www.brumberg.com/fileadmin/products/Datenblatt_17663000_2021_DE.pdf |
| Article no.: 17663020 LED converter 350 mA, trailing-edge phase dimmable Power: 2,8 - 7 W, Plug&Play + Anschlussbox Dimensions: 110 mm x 50 mm x 19 mm https://www.brumberg.com/fileadmin/products/Datenblatt_17663020_2021_DE.pdf |
| Article no.: 17664000 LED converter 350 mA, trailing-edge phase dimmable Power: 10,2 - 14 W, Plug&Play Dimensions: 125 mm x 51 mm x 20 mm https://www.brumberg.com/fileadmin/products/Datenblatt_17664000_2021_DE.pdf |


M1 Recessed housing, round, recessed, flush with module holder, pivoted

Article no. 45000180

| Required accessories |
|---|
| Article no.: 17664020 LED converter 350 mA, trailing-edge phase dimmable Power: 10,2 - 14 W, Plug&Play + Anschlussbox Dimensions: 125 mm x 51 mm x 20 mm https://www.brumberg.com/fileadmin/products/Datenblatt_17664020_2021_DE.pdf |
| Article no.: 17652000 LED-round converter 350 mA, trailing-edge phase dimmer Power: 4,9 - 7 W, Plug&Play Dimensions: 51 mm x 24 mm https://www.brumberg.com/fileadmin/products/Datenblatt_17652000_2021_DE.pdf |
| Article no.: 17652020 LED-round converter 350 mA, trailing-edge phase dimmer Power: 4,9 - 7 W, Plug&Play + Anschlussbox Dimensions: 51 mm x 24 mm https://www.brumberg.com/fileadmin/products/Datenblatt_17652020_2021_DE.pdf |
| Article no.: 17640000 LED converter 350 mA, trailing-edge phase dimmable Power: 4,2 - 10 W, Plug&Play Dimensions: 102 mm x 38 mm x 21 mm https://www.brumberg.com/fileadmin/products/Datenblatt_17640000_2021_DE.pdf |
| Article no.: 17640020 LED converter 350 mA, trailing-edge phase dimmable Power: 4,2 - 10 W, Plug&Play + Anschlussbox Dimensions: 102 mm x 38 mm x 21 mm https://www.brumberg.com/fileadmin/products/Datenblatt_17640020_2021_DE.pdf |
| Article no.: 17643000 LED converter 350 mA, trailing-edge phase dimmable Power: 8,8 - 18 W, Plug&Play Dimensions: 110.5 mm x 52 mm x 22 mm https://www.brumberg.com/fileadmin/products/Datenblatt_17643000_2021_DE.pdf |
| Article no.: 17643020 LED converter 350 mA, trailing-edge phase dimmable Power: 8,8 - 18 W, Plug&Play + Anschlussbox Dimensions: 110.5 mm x 52 mm x 22 mm https://www.brumberg.com/fileadmin/products/Datenblatt_17643020_2021_DE.pdf |
| Article no.: 17648000 LED converter 350 mA, trailing-edge phase dimmable Power: 0,7 - 17 W, Plug&Play Dimensions: 166 mm x 46 mm x 34 mm https://www.brumberg.com/fileadmin/products/Datenblatt_17648000_2021_DE.pdf |
| Article no.: 17648020 LED converter 350 mA, trailing-edge phase dimmable Power: 0,7 - 17 W, Plug&Play + Anschlussbox Dimensions: 166 mm x 46 mm x 34 mm https://www.brumberg.com/fileadmin/products/Datenblatt_17648020_2021_DE.pdf |
| Article no.: 17657000 LED converter 350 mA, 1-10 V dimmable (analog) Power: 5,2 - 18 W, Plug&Play Dimensions: 110 mm x 52 mm x 22 mm https://www.brumberg.com/fileadmin/products/Datenblatt_17657000_2021_DE.pdf |


M1 Recessed housing, round, recessed, flush with module holder, pivoted

Article no. 45000180

| Required accessories |
|--|
| Article no.: 17684000 LED converter 350 mA, DALI dimmable (digital) Power: 2,8 - 7 W, Plug&Play Dimensions: 130 mm x 42 mm x 22 mm https://www.brumberg.com/fileadmin/products/Datenblatt_17684000_2021_DE.pdf |
| Article no.: 17684020 LED converter 350 mA, DALI dimmable (digital) Power: 2,8 - 7 W, Plug&Play + Anschlussbox Dimensions: 130 mm x 42 mm x 22 mm https://www.brumberg.com/fileadmin/products/Datenblatt_17684020_2021_DE.pdf |
| Article no.: 17658000 LED round converter 350 mA, DALI dimmable (digital) Power: 2,1 - 9 W, Plug&Play Dimensions: 56 mm x 25 mm https://www.brumberg.com/fileadmin/products/Datenblatt_17658000_2021_DE.pdf |
| Article no.: 17658020 LED round converter 350 mA, DALI dimmable (digital) Power: 2,1 - 9 W, Plug&Play + Anschlussbox Dimensions: 56 mm x 25 mm https://www.brumberg.com/fileadmin/products/Datenblatt_17658020_2021_DE.pdf |
| Article no.: 17683000 LED converter 350 mA, DALI dimmable (digital) Power: 3,5 - 17 W, Plug&Play Dimensions: 110.5 mm x 52 mm x 22 mm https://www.brumberg.com/fileadmin/products/Datenblatt_17683000_2021_DE.pdf |
| Article no.: 17683020 LED converter 350 mA, DALI dimmable (digital) Power: 3,5 - 17 W, Plug&Play + Anschlussbox Dimensions: 110.5 mm x 52 mm x 22 mm https://www.brumberg.com/fileadmin/products/Datenblatt_17683020_2021_DE.pdf |
| Article no.: 17682000 LED converter 350 mA, DALI dimmable (digital) Power: 1,8 - 18,5 W, Plug&Play Dimensions: 146.5 mm x 43.5 mm x 22 mm https://www.brumberg.com/fileadmin/products/Datenblatt_17682000_2021_DE.pdf |
| Article no.: 17682020 LED converter 350 mA, DALI dimmable (digital) Power: 1,8 - 18,5 W, Plug&Play + Anschlussbox Dimensions: 146.5 mm x 43.5 mm x 22 mm https://www.brumberg.com/fileadmin/products/Datenblatt_17682020_2021_DE.pdf |
| Article no.: 17671000 LED converter 350mA, ZigBee dimmable Power: 3,5 - 18,5 W, Plug&Play Dimensions: 146.5 mm x 44 mm x 30 mm https://www.brumberg.com/fileadmin/products/Datenblatt_17671000_2021_DE.pdf |
| Article no.: 17671020 LED converter 350mA, ZigBee dimmable Power: 3,5 - 18,5 W, Plug&Play + Anschlussbox Dimensions: 146.5 mm x 44 mm x 30 mm https://www.brumberg.com/fileadmin/products/Datenblatt_17671020_2021_DE.pdf |

**M1 Recessed housing, round, recessed, flush with module holder, pivoted**

Article no. 45000180

Required accessories

Article no.: 17672000

LED converter 350mA, Casambi dimmable

Power: 3,5 - 18,5 W, Plug&Play

Dimensions: 146.5 mm x 44 mm x 30 mm

https://www.brumberg.com/fileadmin/products/Datenblatt_17672000_2021_DE.pdf

Article no.: 17672020

LED converter 350mA, Casambi dimmable

Power: 3,5 - 18,5 W, Plug&Play + Anschlussbox

Dimensions: 146.5 mm x 44 mm x 30 mm

https://www.brumberg.com/fileadmin/products/Datenblatt_17672020_2021_DE.pdf**Optional accessories**

Article no.: 3835

Plug&Play extension cable 350 mA

Dimensions: 500 mm

https://www.brumberg.com/fileadmin/products/Datenblatt_00003835_2021_DE.pdf

Article no.: 3836

Plug&Play extension cable 350 mA

Dimensions: 1,000 mm

https://www.brumberg.com/fileadmin/products/Datenblatt_00003836_2021_DE.pdf

Article no.: 3837

Plug&Play extension cable 350 mA

Dimensions: 2,000 mm

https://www.brumberg.com/fileadmin/products/Datenblatt_00003837_2021_DE.pdf