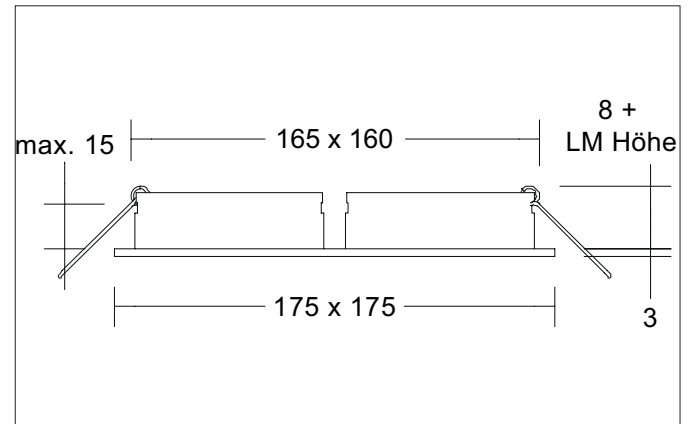




## M1 Recessed housing, square, flush, 4-x, with flush module holders, rigid

Article no. 45030550



### Tender

Recessed housing, square, flush, 4-x, with flush module holders, rigid, white structure / black structure, Square. In a compact design, for installation in tool-less rapid assembly systems. Lamp holder: Without fitting, Mounting method: Recessed mounting, Place of installation: Ceiling-mounted, Material: Aluminium, Degree of protection: according to DIN EN 60529 IP44, Protection class: (EN 61140) III, Power: 13 W, Amount of light sources / fittings: 4 pieces, Adjustability: Not adjustable, without control gear, Dimmable: Depending on type of control gear, Type of dimming: Depending on driver.

### Product Benefits

- Part of the modular M1 system for recessed and surface-mounted ceilings.
- Empty housing for accommodating Brumberg LED modules up to a max. output of max. 12.5 W.
- Also available as a similar, rigid housing on the room side in IP44 version.
- Available in single color textured white, textured black or in combination textured white / textured black or textured black / textured white.
- 155 further housing versions plus approx. 30 different LED modules for these housing versions for all common control types.
- Single-lamp versions also in the portfolio.


**M1 Recessed housing, square, flush, 4-x, with flush module holders, rigid**

Article no. 45030550

| Article data       |  |
|--------------------|--|
| Article no.        | 45030550   |
| GTIN               | 4251433931744  |
| Series name        | M1   |
| Short description  | Recessed housing, square, flush, 4-x, with flush module holders, rigid |
| Material           | Aluminium  |
| Colour             | white structure / black structure                                      |
| Type of surface    | Structure  |
| Shape              | Square   |
| Length             | 175 mm   |
| Width              | 175 mm   |
| Built-in length    | 165 mm   |
| Built-in width     | 160 mm   |
| Installation depth | 78 mm  |
| Hight              | 3 mm   |
| Scope of delivery  | Incl. module brackets flush, rigid, IP44                               |
| Weight             | 0.532 kg   |
| D licence plate    | No   |
| Conformance        | CE, UKCA   |

| Operating technology of the luminaire |                                   |
|---------------------------------------|-----------------------------------|
| Voltage type                          | DC                                |
| Lamp                                  | For LED                           |
| Lamp holder                           | Without fitting                   |
| Protection class                      | III                               |
| Protection class on the ceiling side  | IP20                              |
| Degree of protection                  | IP44                              |
| Dimmable                              | Depending on type of control gear |
| Control                               | Depending on driver               |
| Energy efficiency class               | not required                      |

| Mounting technology         |   |
|-----------------------------|---|
| Mounting method             | Recessed mounting                                   |
| Place of installation       | Ceiling-mounted                                     |
| Adjustability               | Not adjustable                                      |
| Max. ceiling thickness      | 15 mm   |
| Further references          | No cover with thermal insulation material Smarthome |
| Cover                       | Glass transparent                                   |
| Circlip                     | Without circlip                                     |
| Suitable for through-wiring | Yes, with optional accessories                      |

| Packing data            |  |
|-------------------------|--|
| Gross weight            | 0.615 kg   |
| Length of packaging     | 195 mm   |
| Packaging width         | 180 mm   |
| Packaging height        | 60 mm  |
| Disposal at end of life | <p>This product must not be disposed of with household waste. You are obliged, to dispose of such electrical waste separately.</p> <p>By disposing of electrical waste and other old or defective electronics separately, you support recycling or other forms of re-use. In that way you help to take care and to avoid that harmful substances get into the environment.</p> |


**M1 Recessed housing, square, flush, 4-x, with flush module holders, rigid**

Article no. 45030550

| Compatible LED-modu- |        |            |   |                  |  |         |                 |
|----------------------|--------|------------|---|------------------|--|---------|-----------------|
| Article no.          | Power  | Beam angle | Colour temperature  | Colour rendering |  | Input   | Hight LED-Modul |
| 12925003             | 3 W    | 38°        | 2.700 K   | CRI > 80         |  | 350 mA  | 40 mm           |
| 12926003             | 3 W    | 38°        | 3.000 K   | CRI > 80         |  | 350 mA  | 40 mm           |
| 12925004             | 3 W    | 38°        | 4.000 K   | CRI > 80         |  | 350 mA  | 40 mm           |
| 12923383             | 6 W    | 38°        | 2.700 K   | CRI > 80         |  | 350 mA  | 32 mm           |
| 12923603             | 6 W    | 60°        | 2.700 K   | CRI > 80         |  | 350 mA  | 32 mm           |
| 12927383             | 6 W    | 38°        | 2.700 K   | CRI > 90         |  | 350 mA  | 32 mm           |
| 12924383             | 6 W    | 38°        | 3.000 K   | CRI > 80         |  | 350 mA  | 32 mm           |
| 12924603             | 6 W    | 60°        | 3.000 K   | CRI > 80         |  | 350 mA  | 32 mm           |
| 12928383             | 6 W    | 38°        | 3.000 K   | CRI > 90         |  | 350 mA  | 32 mm           |
| 12924384             | 6 W    | 38°        | 3.500 K   | CRI > 80         |  | 350 mA  | 32 mm           |
| 12924604             | 6 W    | 60°        | 3.500 K   | CRI > 80         |  | 350 mA  | 32 mm           |
| 12928384             | 6 W    | 38°        | 3.500 K   | CRI > 90         |  | 350 mA  | 32 mm           |
| 12923384             | 6 W    | 38°        | 4.000 K   | CRI > 80         |  | 350 mA  | 32 mm           |
| 12923604             | 6 W    | 60°        | 4.000 K   | CRI > 80         |  | 350 mA  | 32 mm           |
| 12927384             | 6 W    | 38°        | 4.000 K   | CRI > 90         |  | 350 mA  | 32 mm           |
| 12920183             | 6 W    | 18°        | 3.000 K   | CRI > 80         |  | 350 mA  | 31 mm           |
| 12920243             | 6 W    | 24°        | 3.000 K   | CRI > 80         |  | 350 mA  | 31 mm           |
| 12920003             | 6 W    | 38°        | 3.000 K   | CRI > 80         |  | 350 mA  | 31 mm           |
| 12920603             | 6 W    | 60°        | 3.000 K   | CRI > 80         |  | 350 mA  | 31 mm           |
| 12920184             | 6 W    | 18°        | 4.000 K   | CRI > 80         |  | 350 mA  | 31 mm           |
| 12920244             | 6 W    | 24°        | 4.000 K   | CRI > 80         |  | 350 mA  | 31 mm           |
| 12920004             | 6 W    | 38°        | 4.000 K   | CRI > 80         |  | 350 mA  | 31 mm           |
| 12920604             | 6 W    | 60°        | 4.000 K   | CRI > 80         |  | 350 mA  | 31 mm           |
| 12963383             | 6 W    | 38°        | 3.000 K - 1.800 K   | CRI > 90         |  | 350 mA  | 32 mm           |
| 12963603             | 6 W    | 60°        | 3.000 K - 1.800 K   | CRI > 90         |  | 350 mA  | 32 mm           |
| 12953003             | 12 W   | 38°        | 2.700 K   | CRI > 80         |  | 350 mA  | 70 mm           |
| 12954003             | 12 W   | 38°        | 3.000 K   | CRI > 80         |  | 350 mA  | 70 mm           |
| 12954004             | 12 W   | 38°        | 3.500 K   | CRI > 80         |  | 350 mA  | 70 mm           |
| 12953004             | 12 W   | 38°        | 4.000 K   | CRI > 80         |  | 350 mA  | 70 mm           |
| 12965003             | 12 W   | 38°        | 3.000 K - 1.800 K   | CRI > 90         |  | 350 mA  | 70 mm           |
| 12983003             | 12.5 W | 38°        | 3.000 K   | CRI > 97         |  | 350 mA  | 95 mm           |
| 12823003             | 8 W    | 60°        | 2.850 K   | CRI > 90         |  | 24.00 V | 52 mm           |
| 12845604             | 8 W    | 60°        | 2.700 K - 6.500 K   | CRI > 90         |  | 24.00 V | 52 mm           |
| 18438002             | 8 W    | 60°        | RGB+WW  | CRI > 90         |  | 24.00 V | 52 mm           |
| 12929503             | 6.3 W  | 50°        | 2.700 K / 3.000 K / 4.000 K                                 | CRI > 80         |  | 350 mA  | 34 mm           |
| 12930503             | 5.9 W  | 50°        | 2.700 K / 3.000 K / 4.000 K                                 | CRI > 90         |  | 350 mA  | 34 mm           |
| 12933553             | 6 W    | 55°        | 2.700 K / 3.000 K / 4.000 K + dim-2warm (3.000 K - 2.200 K) | CRI > 90         |  | 350 mA  | 32 mm           |


**M1 Recessed housing, square, flush, 4-x, with flush module holders, rigid**

Article no. 45030550

| Required accessories   |
|--|
| Article no.: 17665000<br>LED converter 350 mA, switchable<br>Power: 1 - 3,2 W, Plug&Play<br>Dimensions: 52 mm x 30 mm x 23 mm<br><a href="https://www.brumberg.com/fileadmin/products/Datenblatt_17665000_2021_DE.pdf">https://www.brumberg.com/fileadmin/products/Datenblatt_17665000_2021_DE.pdf</a>                                   |
| Article no.: 17662000<br>LED converter 350 mA, on/off switchable<br>Power: 1 - 7,2 W, Plug&Play<br>Dimensions: 68 mm x 35 mm x 21 mm<br><a href="https://www.brumberg.com/fileadmin/products/Datenblatt_17662000_2021_DE.pdf">https://www.brumberg.com/fileadmin/products/Datenblatt_17662000_2021_DE.pdf</a>                            |
| Article no.: 17662020<br>LED converter 350 mA, on/off switchable<br>Power: 1 - 7,2 W, Plug&Play + Anschlussbox<br>Dimensions: 35 mm x 21 mm<br><a href="https://www.brumberg.com/fileadmin/products/Datenblatt_17662020_2021_DE.pdf">https://www.brumberg.com/fileadmin/products/Datenblatt_17662020_2021_DE.pdf</a>                     |
| Article no.: 17613000<br>LED converter 350 mA, on/off switchable<br>Power: 1 - 15 W, Plug&Play<br>Dimensions: 115 mm x 34 mm x 19 mm<br><a href="https://www.brumberg.com/fileadmin/products/Datenblatt_17613000_2021_DE.pdf">https://www.brumberg.com/fileadmin/products/Datenblatt_17613000_2021_DE.pdf</a>                            |
| Article no.: 17613020<br>LED converter 350 mA, on/off switchable<br>Power: 1 - 15 W, Plug&Play + Anschlussbox<br>Dimensions: 115 mm x 34 mm x 19 mm<br><a href="https://www.brumberg.com/fileadmin/products/Datenblatt_17613020_2021_DE.pdf">https://www.brumberg.com/fileadmin/products/Datenblatt_17613020_2021_DE.pdf</a>             |
| Article no.: 17621000<br>LED converter 350 mA, on/off switchable<br>Power: 1 - 21 W, Plug&Play<br>Dimensions: 128 mm x 50 mm x 13 mm<br><a href="https://www.brumberg.com/fileadmin/products/Datenblatt_17621000_2021_DE.pdf">https://www.brumberg.com/fileadmin/products/Datenblatt_17621000_2021_DE.pdf</a>                            |
| Article no.: 17621020<br>LED converter 350 mA, on/off switchable<br>Power: 1 - 21 W, Plug&Play + Anschlussbox<br>Dimensions: 128 mm x 50 mm x 13 mm<br><a href="https://www.brumberg.com/fileadmin/products/Datenblatt_17621020_2021_DE.pdf">https://www.brumberg.com/fileadmin/products/Datenblatt_17621020_2021_DE.pdf</a>             |
| Article no.: 17663000<br>LED converter 350 mA, trailing-edge phase dimmable<br>Power: 2,8 - 7 W, Plug&Play<br>Dimensions: 110 mm x 50 mm x 19 mm<br><a href="https://www.brumberg.com/fileadmin/products/Datenblatt_17663000_2021_DE.pdf">https://www.brumberg.com/fileadmin/products/Datenblatt_17663000_2021_DE.pdf</a>                |
| Article no.: 17663020<br>LED converter 350 mA, trailing-edge phase dimmable<br>Power: 2,8 - 7 W, Plug&Play + Anschlussbox<br>Dimensions: 110 mm x 50 mm x 19 mm<br><a href="https://www.brumberg.com/fileadmin/products/Datenblatt_17663020_2021_DE.pdf">https://www.brumberg.com/fileadmin/products/Datenblatt_17663020_2021_DE.pdf</a> |
| Article no.: 17664000<br>LED converter 350 mA, trailing-edge phase dimmable<br>Power: 10,2 - 14 W, Plug&Play<br>Dimensions: 125 mm x 51 mm x 20 mm<br><a href="https://www.brumberg.com/fileadmin/products/Datenblatt_17664000_2021_DE.pdf">https://www.brumberg.com/fileadmin/products/Datenblatt_17664000_2021_DE.pdf</a>              |


**M1 Recessed housing, square, flush, 4-x, with flush module holders, rigid**

Article no. 45030550

| Required accessories  |
|---|
| Article no.: 17664020<br>LED converter 350 mA, trailing-edge phase dimmable<br>Power: 10,2 - 14 W, Plug&Play + Anschlussbox<br>Dimensions: 125 mm x 51 mm x 20 mm<br><a href="https://www.brumberg.com/fileadmin/products/Datenblatt_17664020_2021_DE.pdf">https://www.brumberg.com/fileadmin/products/Datenblatt_17664020_2021_DE.pdf</a>  |
| Article no.: 17652000<br>LED-round converter 350 mA, trailing-edge phase dimmer<br>Power: 4,9 - 7 W, Plug&Play<br>Dimensions: 51 mm x 24 mm<br><a href="https://www.brumberg.com/fileadmin/products/Datenblatt_17652000_2021_DE.pdf">https://www.brumberg.com/fileadmin/products/Datenblatt_17652000_2021_DE.pdf</a>                        |
| Article no.: 17652020<br>LED-round converter 350 mA, trailing-edge phase dimmer<br>Power: 4,9 - 7 W, Plug&Play + Anschlussbox<br>Dimensions: 51 mm x 24 mm<br><a href="https://www.brumberg.com/fileadmin/products/Datenblatt_17652020_2021_DE.pdf">https://www.brumberg.com/fileadmin/products/Datenblatt_17652020_2021_DE.pdf</a>         |
| Article no.: 17640000<br>LED converter 350 mA, trailing-edge phase dimmable<br>Power: 4,2 - 10 W, Plug&Play<br>Dimensions: 102 mm x 38 mm x 21 mm<br><a href="https://www.brumberg.com/fileadmin/products/Datenblatt_17640000_2021_DE.pdf">https://www.brumberg.com/fileadmin/products/Datenblatt_17640000_2021_DE.pdf</a>                  |
| Article no.: 17640020<br>LED converter 350 mA, trailing-edge phase dimmable<br>Power: 4,2 - 10 W, Plug&Play + Anschlussbox<br>Dimensions: 102 mm x 38 mm x 21 mm<br><a href="https://www.brumberg.com/fileadmin/products/Datenblatt_17640020_2021_DE.pdf">https://www.brumberg.com/fileadmin/products/Datenblatt_17640020_2021_DE.pdf</a>   |
| Article no.: 17643000<br>LED converter 350 mA, trailing-edge phase dimmable<br>Power: 8,8 - 18 W, Plug&Play<br>Dimensions: 110.5 mm x 52 mm x 22 mm<br><a href="https://www.brumberg.com/fileadmin/products/Datenblatt_17643000_2021_DE.pdf">https://www.brumberg.com/fileadmin/products/Datenblatt_17643000_2021_DE.pdf</a>                |
| Article no.: 17643020<br>LED converter 350 mA, trailing-edge phase dimmable<br>Power: 8,8 - 18 W, Plug&Play + Anschlussbox<br>Dimensions: 110.5 mm x 52 mm x 22 mm<br><a href="https://www.brumberg.com/fileadmin/products/Datenblatt_17643020_2021_DE.pdf">https://www.brumberg.com/fileadmin/products/Datenblatt_17643020_2021_DE.pdf</a> |
| Article no.: 17648000<br>LED converter 350 mA, trailing-edge phase dimmable<br>Power: 0,7 - 17 W, Plug&Play<br>Dimensions: 166 mm x 46 mm x 34 mm<br><a href="https://www.brumberg.com/fileadmin/products/Datenblatt_17648000_2021_DE.pdf">https://www.brumberg.com/fileadmin/products/Datenblatt_17648000_2021_DE.pdf</a>                  |
| Article no.: 17648020<br>LED converter 350 mA, trailing-edge phase dimmable<br>Power: 0,7 - 17 W, Plug&Play + Anschlussbox<br>Dimensions: 166 mm x 46 mm x 34 mm<br><a href="https://www.brumberg.com/fileadmin/products/Datenblatt_17648020_2021_DE.pdf">https://www.brumberg.com/fileadmin/products/Datenblatt_17648020_2021_DE.pdf</a>   |
| Article no.: 17657000<br>LED converter 350 mA, 1-10 V dimmable (analog)<br>Power: 5,2 - 18 W, Plug&Play<br>Dimensions: 110 mm x 52 mm x 22 mm<br><a href="https://www.brumberg.com/fileadmin/products/Datenblatt_17657000_2021_DE.pdf">https://www.brumberg.com/fileadmin/products/Datenblatt_17657000_2021_DE.pdf</a>                      |


**M1 Recessed housing, square, flush, 4-x, with flush module holders, rigid**

Article no. 45030550

| Required accessories   |
|--|
| Article no.: 17684000<br>LED converter 350 mA, DALI dimmable (digital)<br>Power: 2,8 - 7 W, Plug&Play<br>Dimensions: 130 mm x 42 mm x 22 mm<br><a href="https://www.brumberg.com/fileadmin/products/Datenblatt_17684000_2021_DE.pdf">https://www.brumberg.com/fileadmin/products/Datenblatt_17684000_2021_DE.pdf</a>                       |
| Article no.: 17684020<br>LED converter 350 mA, DALI dimmable (digital)<br>Power: 2,8 - 7 W, Plug&Play + Anschlussbox<br>Dimensions: 130 mm x 42 mm x 22 mm<br><a href="https://www.brumberg.com/fileadmin/products/Datenblatt_17684020_2021_DE.pdf">https://www.brumberg.com/fileadmin/products/Datenblatt_17684020_2021_DE.pdf</a>        |
| Article no.: 17658000<br>LED round converter 350 mA, DALI dimmable (digital)<br>Power: 2,1 - 9 W, Plug&Play<br>Dimensions: 56 mm x 25 mm<br><a href="https://www.brumberg.com/fileadmin/products/Datenblatt_17658000_2021_DE.pdf">https://www.brumberg.com/fileadmin/products/Datenblatt_17658000_2021_DE.pdf</a>                          |
| Article no.: 17658020<br>LED round converter 350 mA, DALI dimmable (digital)<br>Power: 2,1 - 9 W, Plug&Play + Anschlussbox<br>Dimensions: 56 mm x 25 mm<br><a href="https://www.brumberg.com/fileadmin/products/Datenblatt_17658020_2021_DE.pdf">https://www.brumberg.com/fileadmin/products/Datenblatt_17658020_2021_DE.pdf</a>           |
| Article no.: 17683000<br>LED converter 350 mA, DALI dimmable (digital)<br>Power: 3,5 - 17 W, Plug&Play<br>Dimensions: 110.5 mm x 52 mm x 22 mm<br><a href="https://www.brumberg.com/fileadmin/products/Datenblatt_17683000_2021_DE.pdf">https://www.brumberg.com/fileadmin/products/Datenblatt_17683000_2021_DE.pdf</a>                    |
| Article no.: 17683020<br>LED converter 350 mA, DALI dimmable (digital)<br>Power: 3,5 - 17 W, Plug&Play + Anschlussbox<br>Dimensions: 110.5 mm x 52 mm x 22 mm<br><a href="https://www.brumberg.com/fileadmin/products/Datenblatt_17683020_2021_DE.pdf">https://www.brumberg.com/fileadmin/products/Datenblatt_17683020_2021_DE.pdf</a>     |
| Article no.: 17682000<br>LED converter 350 mA, DALI dimmable (digital)<br>Power: 1,8 - 18,5 W, Plug&Play<br>Dimensions: 146.5 mm x 43.5 mm x 22 mm<br><a href="https://www.brumberg.com/fileadmin/products/Datenblatt_17682000_2021_DE.pdf">https://www.brumberg.com/fileadmin/products/Datenblatt_17682000_2021_DE.pdf</a>                |
| Article no.: 17682020<br>LED converter 350 mA, DALI dimmable (digital)<br>Power: 1,8 - 18,5 W, Plug&Play + Anschlussbox<br>Dimensions: 146.5 mm x 43.5 mm x 22 mm<br><a href="https://www.brumberg.com/fileadmin/products/Datenblatt_17682020_2021_DE.pdf">https://www.brumberg.com/fileadmin/products/Datenblatt_17682020_2021_DE.pdf</a> |
| Article no.: 17671000<br>LED converter 350mA, ZigBee dimmable<br>Power: 3,5 - 18,5 W, Plug&Play<br>Dimensions: 146.5 mm x 44 mm x 30 mm<br><a href="https://www.brumberg.com/fileadmin/products/Datenblatt_17671000_2021_DE.pdf">https://www.brumberg.com/fileadmin/products/Datenblatt_17671000_2021_DE.pdf</a>                           |
| Article no.: 17671020<br>LED converter 350mA, ZigBee dimmable<br>Power: 3,5 - 18,5 W, Plug&Play + Anschlussbox<br>Dimensions: 146.5 mm x 44 mm x 30 mm<br><a href="https://www.brumberg.com/fileadmin/products/Datenblatt_17671020_2021_DE.pdf">https://www.brumberg.com/fileadmin/products/Datenblatt_17671020_2021_DE.pdf</a>            |

**M1 Recessed housing, square, flush, 4-x, with flush module holders, rigid**

Article no. 45030550

**Required accessories**

Article no.: 17672000

LED converter 350mA, Casambi dimmable

Power: 3,5 - 18,5 W, Plug&amp;Play

Dimensions: 146.5 mm x 44 mm x 30 mm

[https://www.brumberg.com/fileadmin/products/Datenblatt\\_17672000\\_2021\\_DE.pdf](https://www.brumberg.com/fileadmin/products/Datenblatt_17672000_2021_DE.pdf)

Article no.: 17672020

LED converter 350mA, Casambi dimmable

Power: 3,5 - 18,5 W, Plug&amp;Play + Anschlussbox

Dimensions: 146.5 mm x 44 mm x 30 mm

[https://www.brumberg.com/fileadmin/products/Datenblatt\\_17672020\\_2021\\_DE.pdf](https://www.brumberg.com/fileadmin/products/Datenblatt_17672020_2021_DE.pdf)**Optional accessories**

Article no.: 3835

Plug&amp;Play extension cable 350 mA

Dimensions: 500 mm

[https://www.brumberg.com/fileadmin/products/Datenblatt\\_00003835\\_2021\\_DE.pdf](https://www.brumberg.com/fileadmin/products/Datenblatt_00003835_2021_DE.pdf)

Article no.: 3836

Plug&amp;Play extension cable 350 mA

Dimensions: 1,000 mm

[https://www.brumberg.com/fileadmin/products/Datenblatt\\_00003836\\_2021\\_DE.pdf](https://www.brumberg.com/fileadmin/products/Datenblatt_00003836_2021_DE.pdf)

Article no.: 3837

Plug&amp;Play extension cable 350 mA

Dimensions: 2,000 mm

[https://www.brumberg.com/fileadmin/products/Datenblatt\\_00003837\\_2021\\_DE.pdf](https://www.brumberg.com/fileadmin/products/Datenblatt_00003837_2021_DE.pdf)