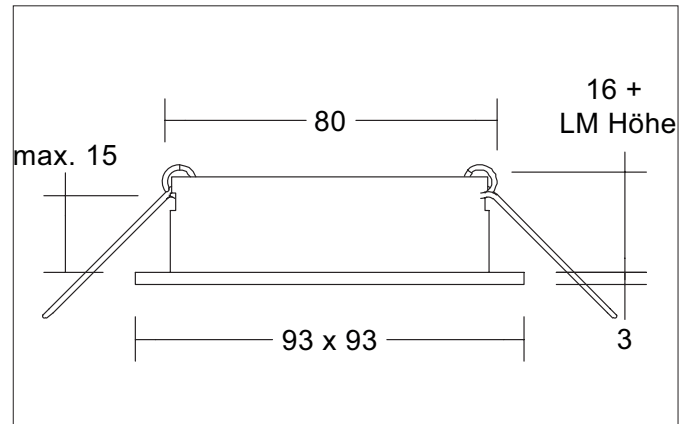




M1 Recessed housing, square, flush, recessed with module holder, pivoted

Article no. 45011550



Tender

Recessed housing, square, flush, recessed with module holder, pivoted, white structure / black structure, Square. In a compact design, for installation in tool-less rapid assembly systems. Lamp holder: Without fitting, Mounting method: Recessed mounting, Place of installation: Ceiling-mounted, Material: Aluminium, Degree of protection: according to DIN EN 60529 IP20, Protection class: (EN 61140) III, Power: 13 W, Amount of light sources / fittings: 1 piece, Adjustability: Pivoted, without control gear, Dimmable: Depending on type of control gear, Type of dimming: Depending on driver.

Product Benefits

- Part of the modular M1 system for recessed and surface-mounted ceilings.
- Empty housing for accommodating Brumberg LED modules up to a max. output of max. 12.5 W.
- Also available as a similar, rigid housing on the room side in IP44 version.
- Available in single color textured white, textured black or in combination textured white / textured black or textured black / textured white.
- 155 further housing versions plus approx. 30 different LED modules for these housing versions for all common control types.
- Multi-lamp versions also in the portfolio.


M1 Recessed housing, square, flush, recessed with module holder, pivoted

Article no. 45011550

| Article data | |
|------------------------|---|
| Article no. | 45011550 |
| GTIN | 4251433931232 |
| Series name | M1 |
| Short description | Recessed housing, square, flush, recessed with module holder, pivoted |
| Material | Aluminium |
| Colour | white structure / black structure |
| Type of surface | Structure |
| Shape | Square |
| Length | 93 mm |
| Width | 93 mm |
| Built-in diameter min. | 79 mm |
| Built-in diameter max. | 80 mm |
| Installation depth | 86 mm |
| Hight | 3 mm |
| Scope of delivery | Incl. module holder recessed, pivoted |
| Weight | 0.133 kg |
| D licence plate | No |
| Conformance | CE, UKCA |

| Operating technology of the luminaire | |
|---------------------------------------|-----------------------------------|
| Voltage type | DC |
| Lamp | For LED |
| Lamp holder | Without fitting |
| Protection class | III |
| Degree of protection | IP20 |
| Dimmable | Depending on type of control gear |
| Control | Depending on driver |
| Energy efficiency class | not required |

| Mounting technology | |
|-----------------------------|---|
| Mounting method | Recessed mounting |
| Place of installation | Ceiling-mounted |
| Adjustability | Pivoted |
| Swivel angle | 20° |
| Max. ceiling thickness | 15 mm |
| Further references | No cover with thermal insulation material Smarthome |
| Cover | Without cover |
| Circlip | Without circlip |
| Suitable for through-wiring | Yes, with optional accessories |

| Packing data | |
|-------------------------|--|
| Gross weight | 0.162 kg |
| Length of packaging | 115 mm |
| Packaging width | 100 mm |
| Packaging hight | 50 mm |
| Disposal at end of life | <p>This product must not be disposed of with household waste. You are obliged, to dispose of such electrical waste separately.</p> <p>By disposing of electrical waste and other old or defective electronics separately, you support recycling or other forms of re-use. In that way you help to take care and to avoid that harmful substances get into the environment.</p> |


M1 Recessed housing, square, flush, recessed with module holder, pivoted

Article no. 45011550

| Compatible LED-modu- | | | | | | | |
|----------------------|--------|------------|---|------------------|--|---------|-----------------|
| Article no. | Power | Beam angle | Colour temperature | Colour rendering | | Input | Hight LED-Modul |
| 12925003 | 3 W | 38° | 2.700 K | CRI > 80 | | 350 mA | 40 mm |
| 12926003 | 3 W | 38° | 3.000 K | CRI > 80 | | 350 mA | 40 mm |
| 12925004 | 3 W | 38° | 4.000 K | CRI > 80 | | 350 mA | 40 mm |
| 12923383 | 6 W | 38° | 2.700 K | CRI > 80 | | 350 mA | 32 mm |
| 12923603 | 6 W | 60° | 2.700 K | CRI > 80 | | 350 mA | 32 mm |
| 12927383 | 6 W | 38° | 2.700 K | CRI > 90 | | 350 mA | 32 mm |
| 12924383 | 6 W | 38° | 3.000 K | CRI > 80 | | 350 mA | 32 mm |
| 12924603 | 6 W | 60° | 3.000 K | CRI > 80 | | 350 mA | 32 mm |
| 12928383 | 6 W | 38° | 3.000 K | CRI > 90 | | 350 mA | 32 mm |
| 12924384 | 6 W | 38° | 3.500 K | CRI > 80 | | 350 mA | 32 mm |
| 12924604 | 6 W | 60° | 3.500 K | CRI > 80 | | 350 mA | 32 mm |
| 12928384 | 6 W | 38° | 3.500 K | CRI > 90 | | 350 mA | 32 mm |
| 12923384 | 6 W | 38° | 4.000 K | CRI > 80 | | 350 mA | 32 mm |
| 12923604 | 6 W | 60° | 4.000 K | CRI > 80 | | 350 mA | 32 mm |
| 12927384 | 6 W | 38° | 4.000 K | CRI > 90 | | 350 mA | 32 mm |
| 12920183 | 6 W | 18° | 3.000 K | CRI > 80 | | 350 mA | 31 mm |
| 12920243 | 6 W | 24° | 3.000 K | CRI > 80 | | 350 mA | 31 mm |
| 12920003 | 6 W | 38° | 3.000 K | CRI > 80 | | 350 mA | 31 mm |
| 12920603 | 6 W | 60° | 3.000 K | CRI > 80 | | 350 mA | 31 mm |
| 12920184 | 6 W | 18° | 4.000 K | CRI > 80 | | 350 mA | 31 mm |
| 12920244 | 6 W | 24° | 4.000 K | CRI > 80 | | 350 mA | 31 mm |
| 12920004 | 6 W | 38° | 4.000 K | CRI > 80 | | 350 mA | 31 mm |
| 12920604 | 6 W | 60° | 4.000 K | CRI > 80 | | 350 mA | 31 mm |
| 12963383 | 6 W | 38° | 3.000 K - 1.800 K | CRI > 90 | | 350 mA | 32 mm |
| 12963603 | 6 W | 60° | 3.000 K - 1.800 K | CRI > 90 | | 350 mA | 32 mm |
| 12953003 | 12 W | 38° | 2.700 K | CRI > 80 | | 350 mA | 70 mm |
| 12954003 | 12 W | 38° | 3.000 K | CRI > 80 | | 350 mA | 70 mm |
| 12954004 | 12 W | 38° | 3.500 K | CRI > 80 | | 350 mA | 70 mm |
| 12953004 | 12 W | 38° | 4.000 K | CRI > 80 | | 350 mA | 70 mm |
| 12965003 | 12 W | 38° | 3.000 K - 1.800 K | CRI > 90 | | 350 mA | 70 mm |
| 12983003 | 12.5 W | 38° | 3.000 K | CRI > 97 | | 350 mA | 95 mm |
| 12823003 | 8 W | 60° | 2.850 K | CRI > 90 | | 24.00 V | 52 mm |
| 12845604 | 8 W | 60° | 2.700 K - 6.500 K | CRI > 90 | | 24.00 V | 52 mm |
| 18438002 | 8 W | 60° | RGB+WW | CRI > 90 | | 24.00 V | 52 mm |
| 12929503 | 6.3 W | 50° | 2.700 K / 3.000 K / 4.000 K | CRI > 80 | | 350 mA | 34 mm |
| 12930503 | 5.9 W | 50° | 2.700 K / 3.000 K / 4.000 K | CRI > 90 | | 350 mA | 34 mm |
| 12933553 | 6 W | 55° | 2.700 K / 3.000 K / 4.000 K + dim-2warm (3.000 K - 2.200 K) | CRI > 90 | | 350 mA | 32 mm |


M1 Recessed housing, square, flush, recessed with module holder, pivoted

Article no. 45011550

| Required accessories |
|--|
| Article no.: 17665000 LED converter 350 mA, switchable Power: 1 - 3,2 W, Plug&Play Dimensions: 52 mm x 30 mm x 23 mm https://www.brumberg.com/fileadmin/products/Datenblatt_17665000_2021_DE.pdf |
| Article no.: 17662000 LED converter 350 mA, on/off switchable Power: 1 - 7,2 W, Plug&Play Dimensions: 68 mm x 35 mm x 21 mm https://www.brumberg.com/fileadmin/products/Datenblatt_17662000_2021_DE.pdf |
| Article no.: 17662020 LED converter 350 mA, on/off switchable Power: 1 - 7,2 W, Plug&Play + Anschlussbox Dimensions: 35 mm x 21 mm https://www.brumberg.com/fileadmin/products/Datenblatt_17662020_2021_DE.pdf |
| Article no.: 17613000 LED converter 350 mA, on/off switchable Power: 1 - 15 W, Plug&Play Dimensions: 115 mm x 34 mm x 19 mm https://www.brumberg.com/fileadmin/products/Datenblatt_17613000_2021_DE.pdf |
| Article no.: 17613020 LED converter 350 mA, on/off switchable Power: 1 - 15 W, Plug&Play + Anschlussbox Dimensions: 115 mm x 34 mm x 19 mm https://www.brumberg.com/fileadmin/products/Datenblatt_17613020_2021_DE.pdf |
| Article no.: 17621000 LED converter 350 mA, on/off switchable Power: 1 - 21 W, Plug&Play Dimensions: 128 mm x 50 mm x 13 mm https://www.brumberg.com/fileadmin/products/Datenblatt_17621000_2021_DE.pdf |
| Article no.: 17621020 LED converter 350 mA, on/off switchable Power: 1 - 21 W, Plug&Play + Anschlussbox Dimensions: 128 mm x 50 mm x 13 mm https://www.brumberg.com/fileadmin/products/Datenblatt_17621020_2021_DE.pdf |
| Article no.: 17663000 LED converter 350 mA, trailing-edge phase dimmable Power: 2,8 - 7 W, Plug&Play Dimensions: 110 mm x 50 mm x 19 mm https://www.brumberg.com/fileadmin/products/Datenblatt_17663000_2021_DE.pdf |
| Article no.: 17663020 LED converter 350 mA, trailing-edge phase dimmable Power: 2,8 - 7 W, Plug&Play + Anschlussbox Dimensions: 110 mm x 50 mm x 19 mm https://www.brumberg.com/fileadmin/products/Datenblatt_17663020_2021_DE.pdf |
| Article no.: 17664000 LED converter 350 mA, trailing-edge phase dimmable Power: 10,2 - 14 W, Plug&Play Dimensions: 125 mm x 51 mm x 20 mm https://www.brumberg.com/fileadmin/products/Datenblatt_17664000_2021_DE.pdf |


M1 Recessed housing, square, flush, recessed with module holder, pivoted

Article no. 45011550

| Required accessories |
|---|
| Article no.: 17664020 LED converter 350 mA, trailing-edge phase dimmable Power: 10,2 - 14 W, Plug&Play + Anschlussbox Dimensions: 125 mm x 51 mm x 20 mm https://www.brumberg.com/fileadmin/products/Datenblatt_17664020_2021_DE.pdf |
| Article no.: 17652000 LED-round converter 350 mA, trailing-edge phase dimmer Power: 4,9 - 7 W, Plug&Play Dimensions: 51 mm x 24 mm https://www.brumberg.com/fileadmin/products/Datenblatt_17652000_2021_DE.pdf |
| Article no.: 17652020 LED-round converter 350 mA, trailing-edge phase dimmer Power: 4,9 - 7 W, Plug&Play + Anschlussbox Dimensions: 51 mm x 24 mm https://www.brumberg.com/fileadmin/products/Datenblatt_17652020_2021_DE.pdf |
| Article no.: 17640000 LED converter 350 mA, trailing-edge phase dimmable Power: 4,2 - 10 W, Plug&Play Dimensions: 102 mm x 38 mm x 21 mm https://www.brumberg.com/fileadmin/products/Datenblatt_17640000_2021_DE.pdf |
| Article no.: 17640020 LED converter 350 mA, trailing-edge phase dimmable Power: 4,2 - 10 W, Plug&Play + Anschlussbox Dimensions: 102 mm x 38 mm x 21 mm https://www.brumberg.com/fileadmin/products/Datenblatt_17640020_2021_DE.pdf |
| Article no.: 17643000 LED converter 350 mA, trailing-edge phase dimmable Power: 8,8 - 18 W, Plug&Play Dimensions: 110.5 mm x 52 mm x 22 mm https://www.brumberg.com/fileadmin/products/Datenblatt_17643000_2021_DE.pdf |
| Article no.: 17643020 LED converter 350 mA, trailing-edge phase dimmable Power: 8,8 - 18 W, Plug&Play + Anschlussbox Dimensions: 110.5 mm x 52 mm x 22 mm https://www.brumberg.com/fileadmin/products/Datenblatt_17643020_2021_DE.pdf |
| Article no.: 17648000 LED converter 350 mA, trailing-edge phase dimmable Power: 0,7 - 17 W, Plug&Play Dimensions: 166 mm x 46 mm x 34 mm https://www.brumberg.com/fileadmin/products/Datenblatt_17648000_2021_DE.pdf |
| Article no.: 17648020 LED converter 350 mA, trailing-edge phase dimmable Power: 0,7 - 17 W, Plug&Play + Anschlussbox Dimensions: 166 mm x 46 mm x 34 mm https://www.brumberg.com/fileadmin/products/Datenblatt_17648020_2021_DE.pdf |
| Article no.: 17657000 LED converter 350 mA, 1-10 V dimmable (analog) Power: 5,2 - 18 W, Plug&Play Dimensions: 110 mm x 52 mm x 22 mm https://www.brumberg.com/fileadmin/products/Datenblatt_17657000_2021_DE.pdf |


M1 Recessed housing, square, flush, recessed with module holder, pivoted

Article no. 45011550

| Required accessories |
|--|
| Article no.: 17684000 LED converter 350 mA, DALI dimmable (digital) Power: 2,8 - 7 W, Plug&Play Dimensions: 130 mm x 42 mm x 22 mm https://www.brumberg.com/fileadmin/products/Datenblatt_17684000_2021_DE.pdf |
| Article no.: 17684020 LED converter 350 mA, DALI dimmable (digital) Power: 2,8 - 7 W, Plug&Play + Anschlussbox Dimensions: 130 mm x 42 mm x 22 mm https://www.brumberg.com/fileadmin/products/Datenblatt_17684020_2021_DE.pdf |
| Article no.: 17658000 LED round converter 350 mA, DALI dimmable (digital) Power: 2,1 - 9 W, Plug&Play Dimensions: 56 mm x 25 mm https://www.brumberg.com/fileadmin/products/Datenblatt_17658000_2021_DE.pdf |
| Article no.: 17658020 LED round converter 350 mA, DALI dimmable (digital) Power: 2,1 - 9 W, Plug&Play + Anschlussbox Dimensions: 56 mm x 25 mm https://www.brumberg.com/fileadmin/products/Datenblatt_17658020_2021_DE.pdf |
| Article no.: 17683000 LED converter 350 mA, DALI dimmable (digital) Power: 3,5 - 17 W, Plug&Play Dimensions: 110.5 mm x 52 mm x 22 mm https://www.brumberg.com/fileadmin/products/Datenblatt_17683000_2021_DE.pdf |
| Article no.: 17683020 LED converter 350 mA, DALI dimmable (digital) Power: 3,5 - 17 W, Plug&Play + Anschlussbox Dimensions: 110.5 mm x 52 mm x 22 mm https://www.brumberg.com/fileadmin/products/Datenblatt_17683020_2021_DE.pdf |
| Article no.: 17682000 LED converter 350 mA, DALI dimmable (digital) Power: 1,8 - 18,5 W, Plug&Play Dimensions: 146.5 mm x 43.5 mm x 22 mm https://www.brumberg.com/fileadmin/products/Datenblatt_17682000_2021_DE.pdf |
| Article no.: 17682020 LED converter 350 mA, DALI dimmable (digital) Power: 1,8 - 18,5 W, Plug&Play + Anschlussbox Dimensions: 146.5 mm x 43.5 mm x 22 mm https://www.brumberg.com/fileadmin/products/Datenblatt_17682020_2021_DE.pdf |
| Article no.: 17671000 LED converter 350mA, ZigBee dimmable Power: 3,5 - 18,5 W, Plug&Play Dimensions: 146.5 mm x 44 mm x 30 mm https://www.brumberg.com/fileadmin/products/Datenblatt_17671000_2021_DE.pdf |
| Article no.: 17671020 LED converter 350mA, ZigBee dimmable Power: 3,5 - 18,5 W, Plug&Play + Anschlussbox Dimensions: 146.5 mm x 44 mm x 30 mm https://www.brumberg.com/fileadmin/products/Datenblatt_17671020_2021_DE.pdf |

**M1 Recessed housing, square, flush, recessed with module holder, pivoted**

Article no. 45011550

Required accessories

Article no.: 17672000

LED converter 350mA, Casambi dimmable

Power: 3,5 - 18,5 W, Plug&Play

Dimensions: 146.5 mm x 44 mm x 30 mm

https://www.brumberg.com/fileadmin/products/Datenblatt_17672000_2021_DE.pdf

Article no.: 17672020

LED converter 350mA, Casambi dimmable

Power: 3,5 - 18,5 W, Plug&Play + Anschlussbox

Dimensions: 146.5 mm x 44 mm x 30 mm

https://www.brumberg.com/fileadmin/products/Datenblatt_17672020_2021_DE.pdf**Optional accessories**

Article no.: 3835

Plug&Play extension cable 350 mA

Dimensions: 500 mm

https://www.brumberg.com/fileadmin/products/Datenblatt_00003835_2021_DE.pdf

Article no.: 3836

Plug&Play extension cable 350 mA

Dimensions: 1,000 mm

https://www.brumberg.com/fileadmin/products/Datenblatt_00003836_2021_DE.pdf

Article no.: 3837

Plug&Play extension cable 350 mA

Dimensions: 2,000 mm

https://www.brumberg.com/fileadmin/products/Datenblatt_00003837_2021_DE.pdf